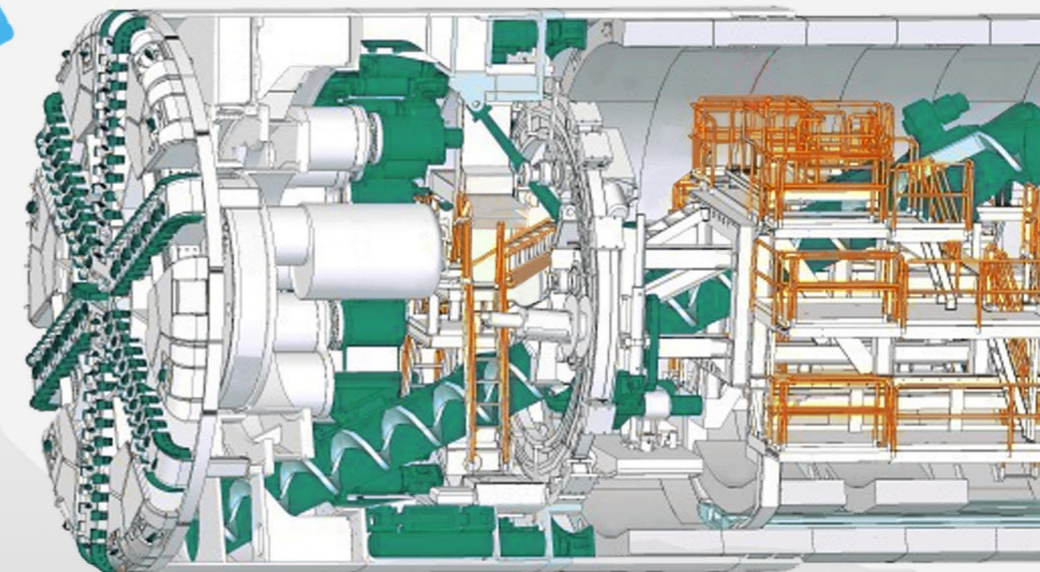
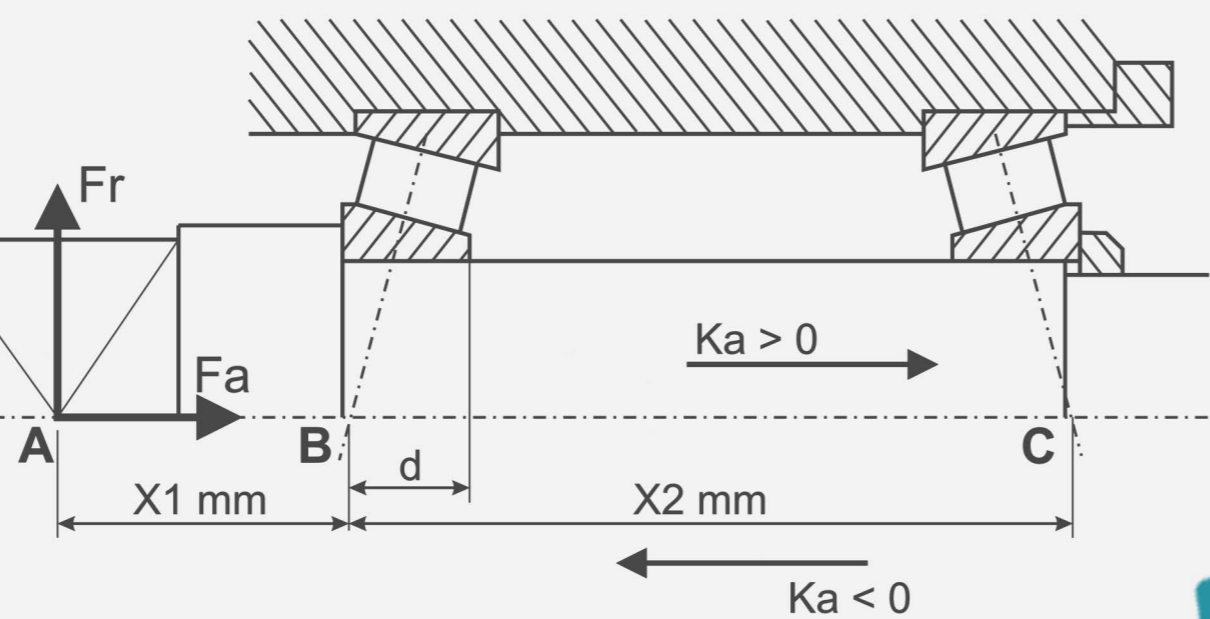
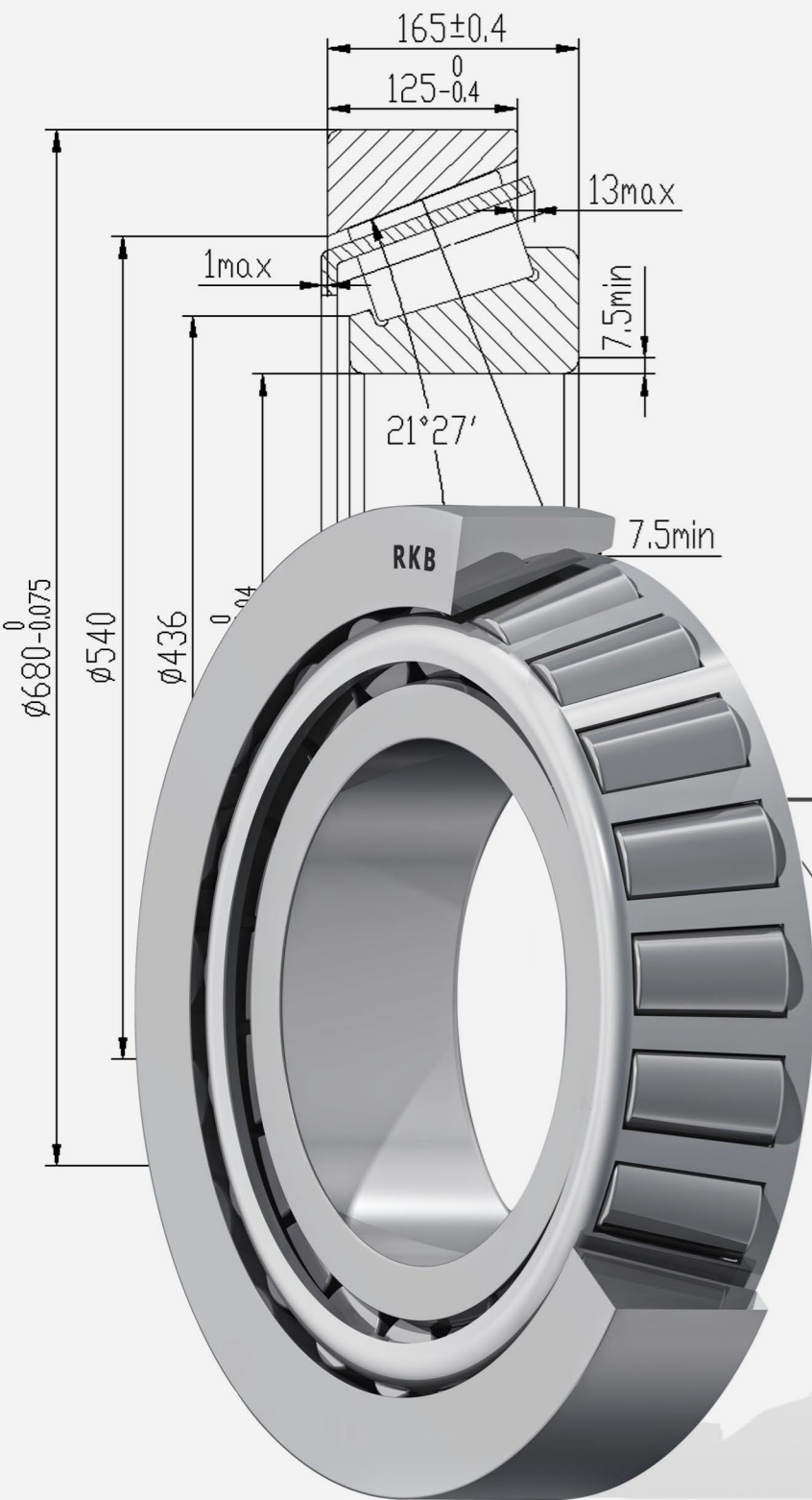
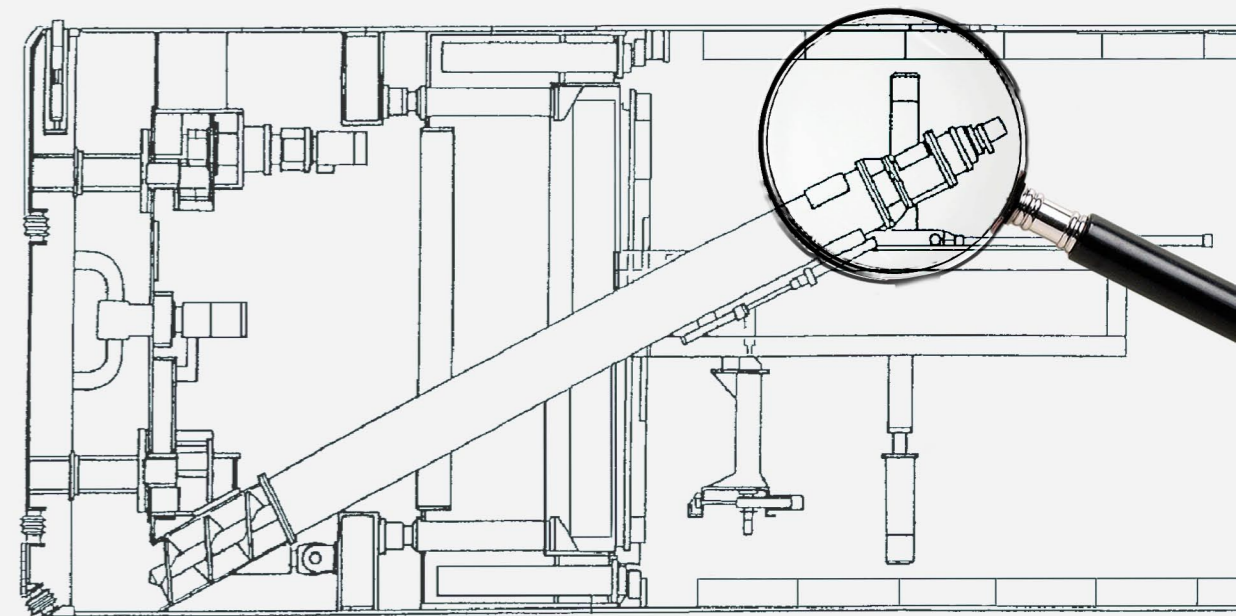
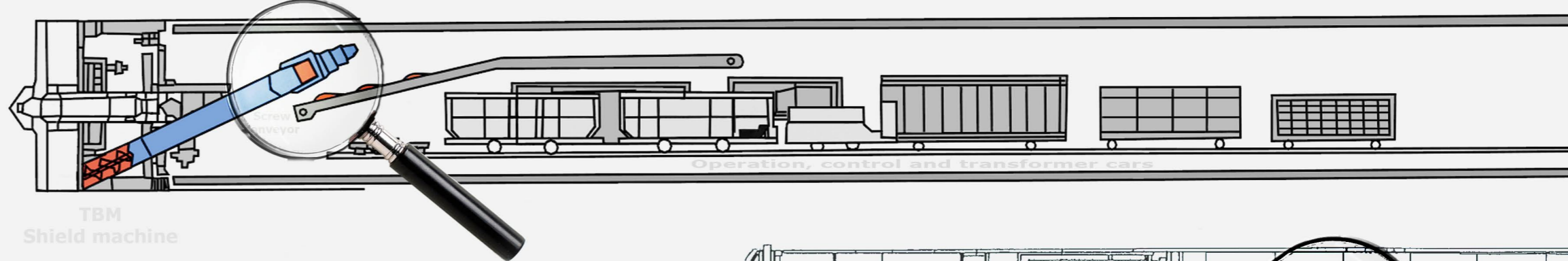




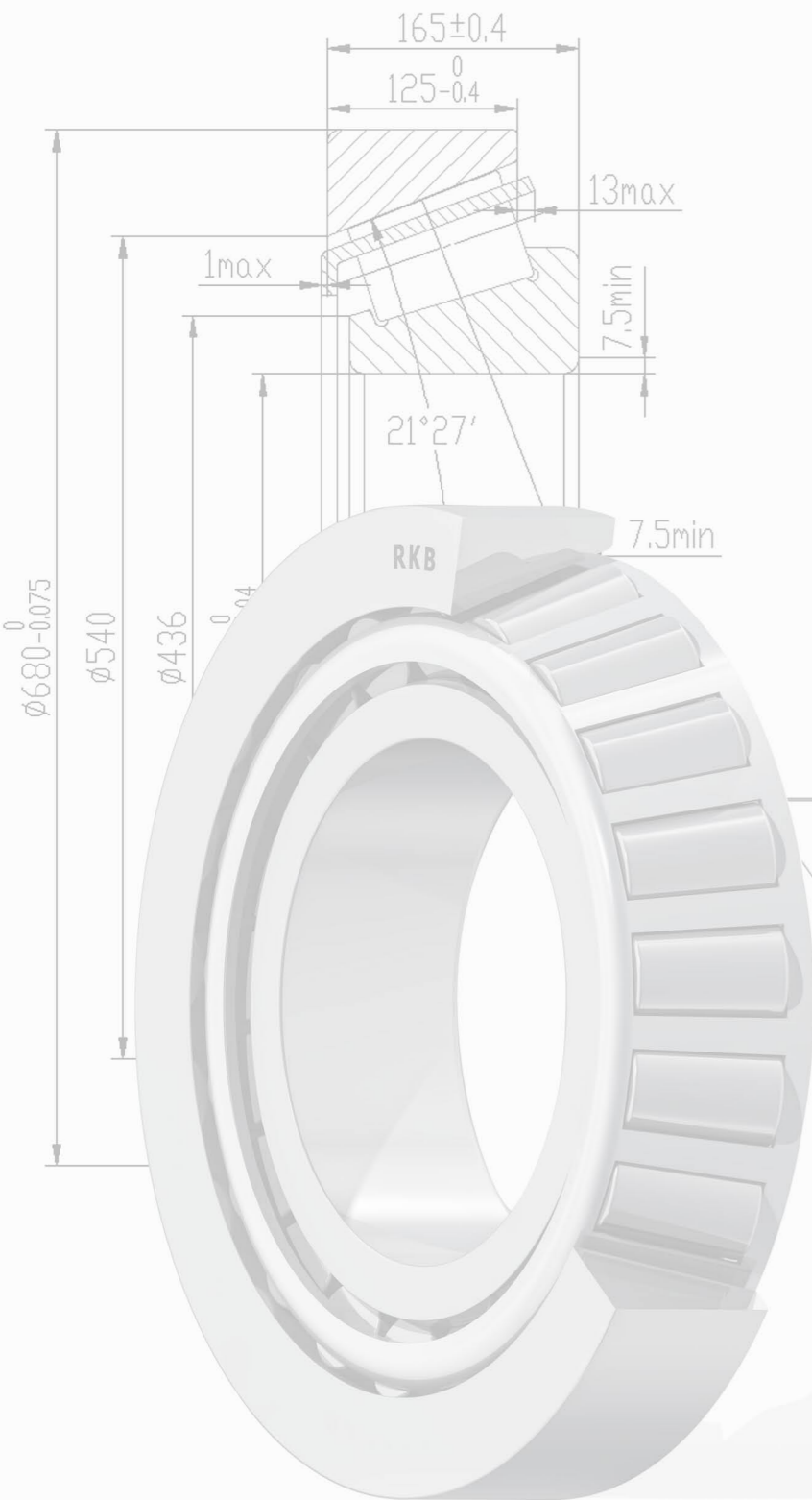
Main bearings:
T3 Segment - Taper roller bearings



Project 'EPB'

Conveyor systems for tunnel boring machines

Main bearings:
T3 Segment - Taper roller bearings

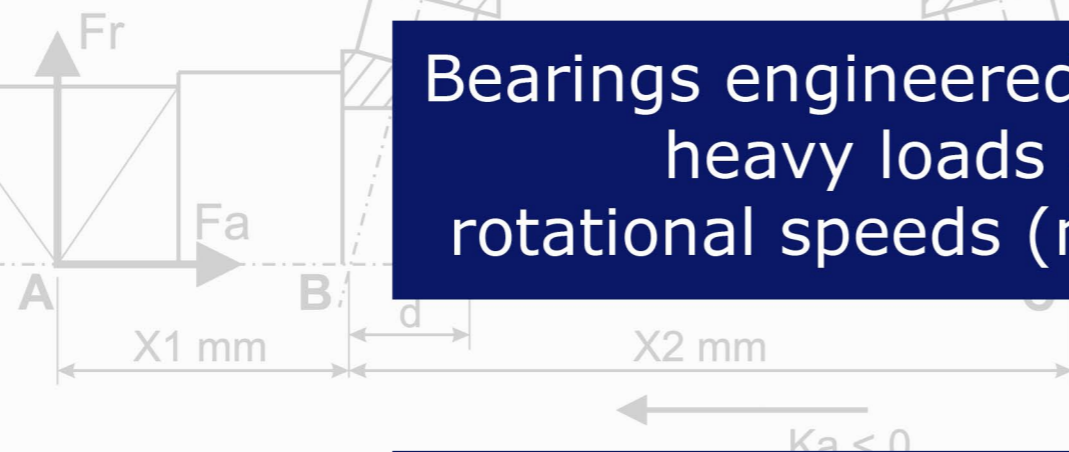


Taper roller bearings for screw conveyor hydraulic drive

Up to 360 mm inner diameter and 680 mm outer diameter

Bearings engineered to withstand heavy loads at low rotational speeds (max. 22 rpm)

Tough Roller Technology for higher safety factor ($S_0 > 4,0$)



Project 'EPB'

Conveyor systems for tunnel boring machines