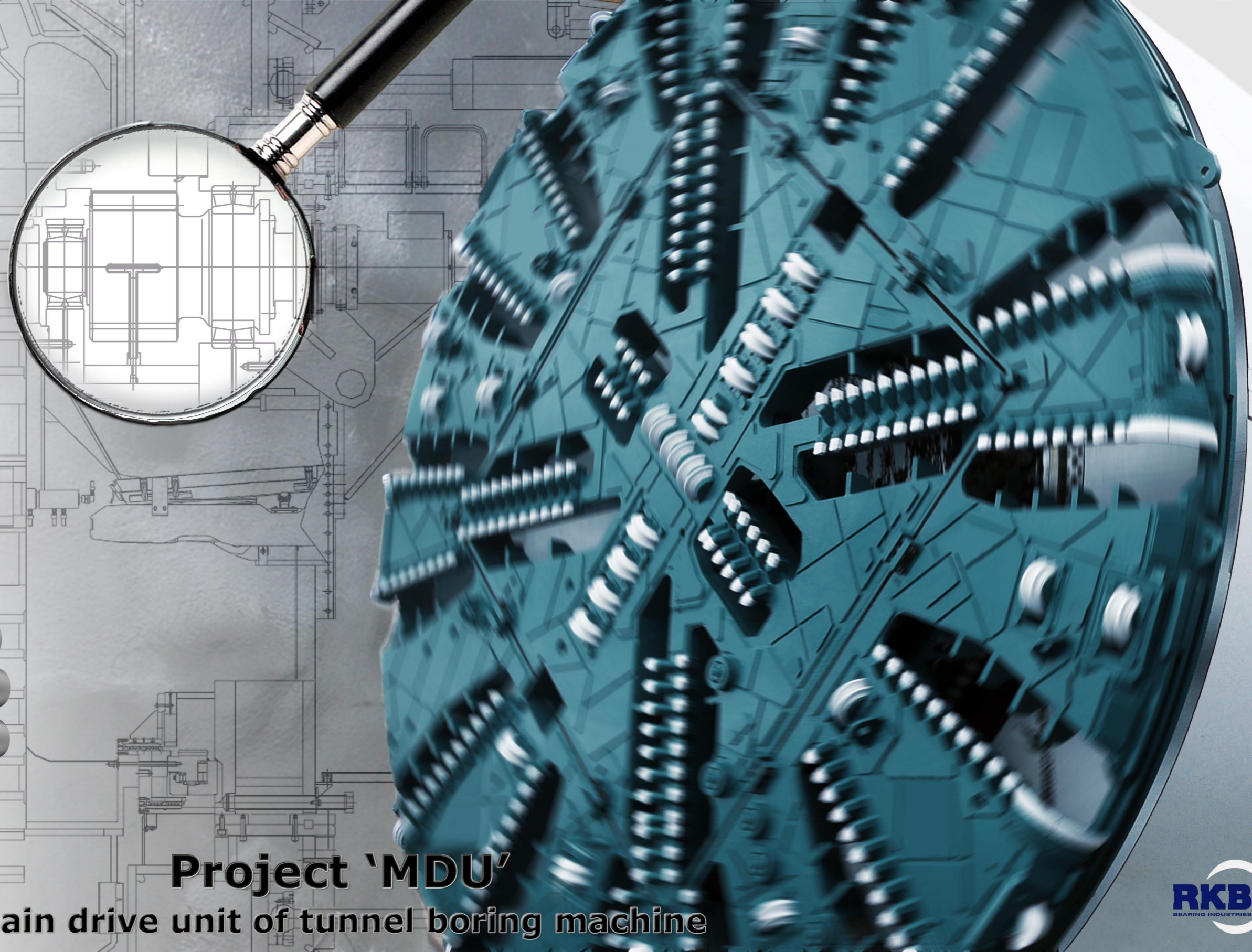
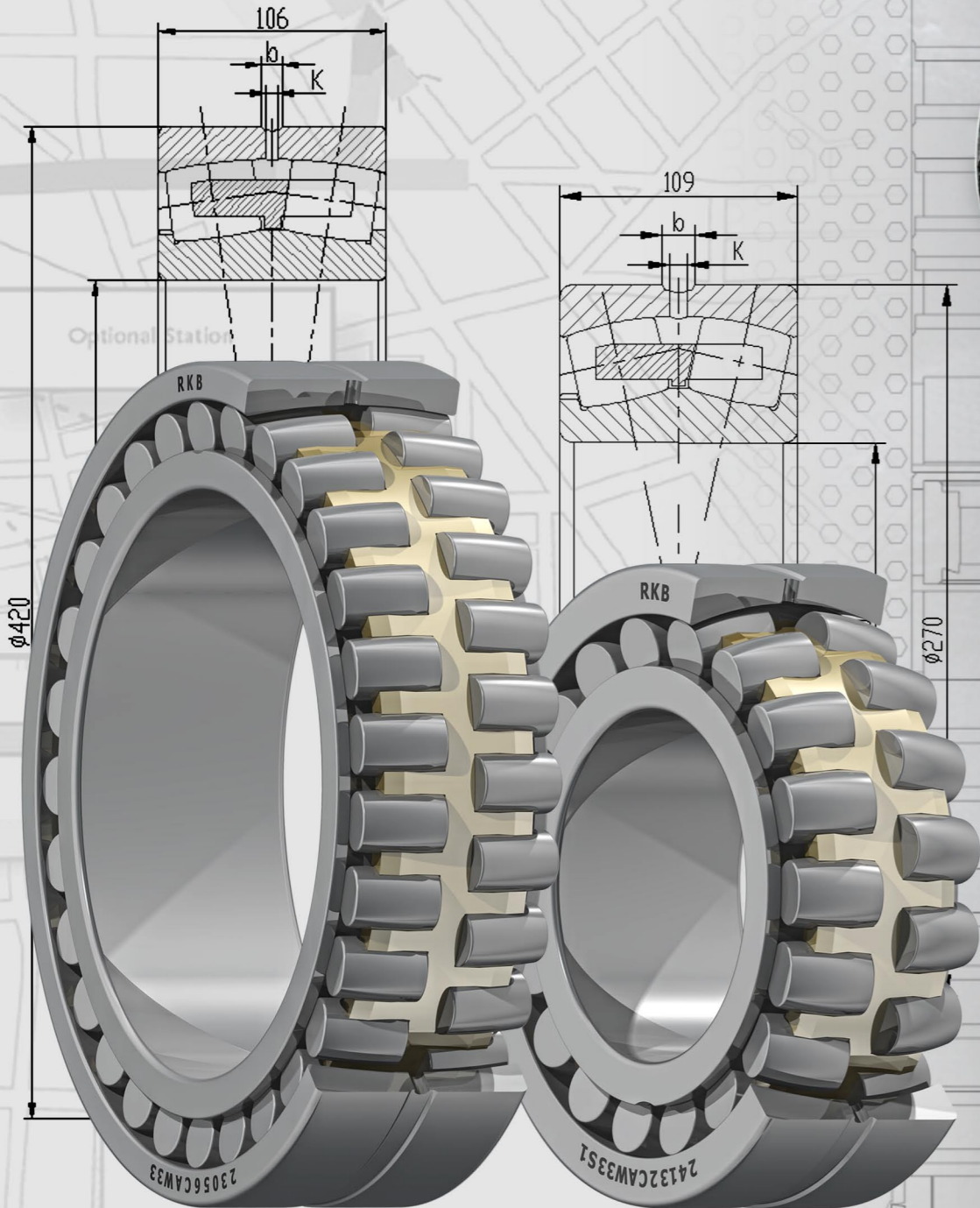




Main bearings:

T3 Segment - Spherical roller bearings



**Project 'MDU'**

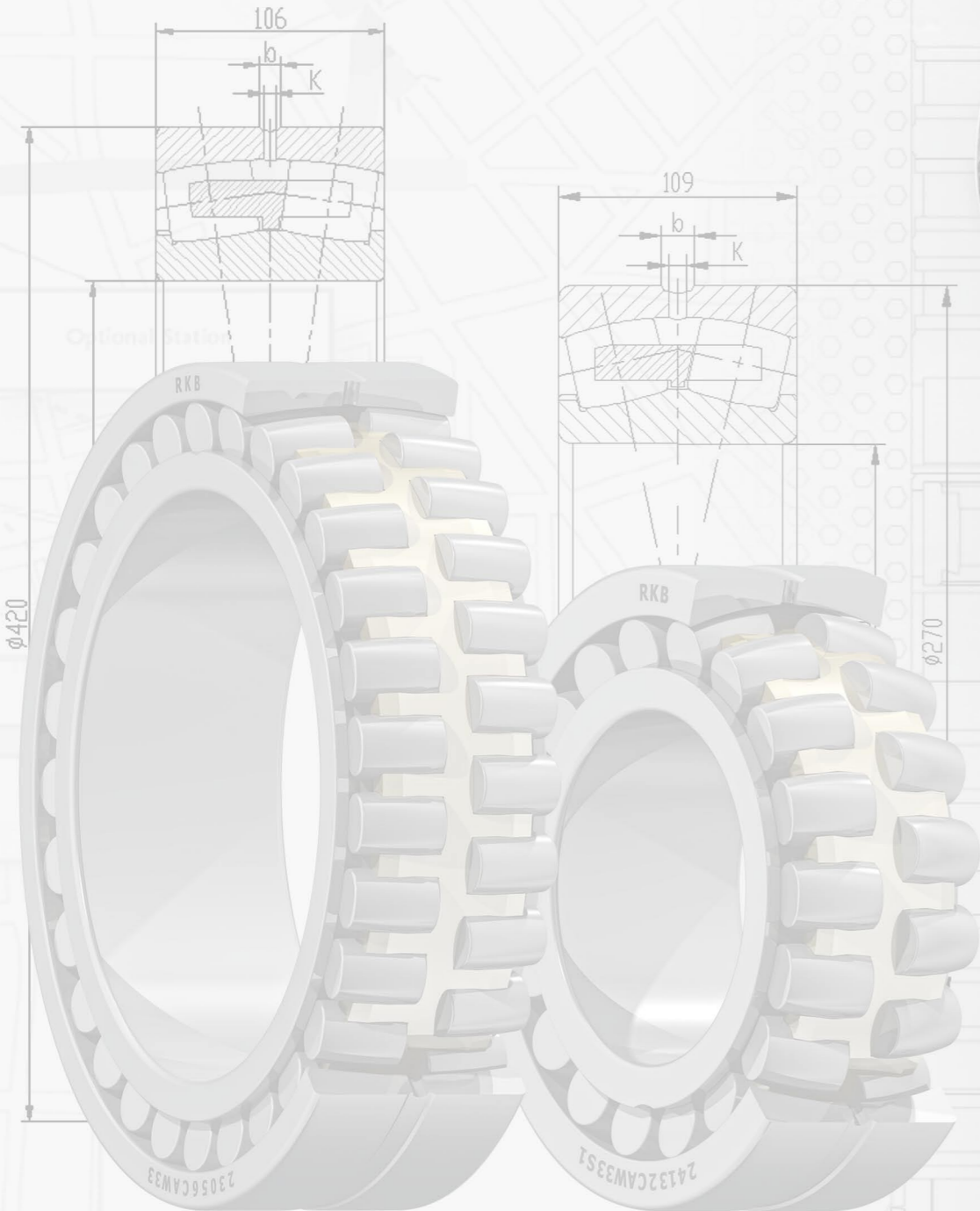
**Main drive unit of tunnel boring machine**





Main bearings:

T3 Segment - Spherical roller bearings



Spherical roller bearings for tunnel boring machine main drive unit

Bearings engineered to withstand heavy radial loads, moderate/high torque and variable thrust forces

Up to 420 mm outer diameter

Design life ( $L_{10h}$ )  $\geq$  15000 h

Project 'MDU'

Main drive unit of tunnel boring machine

