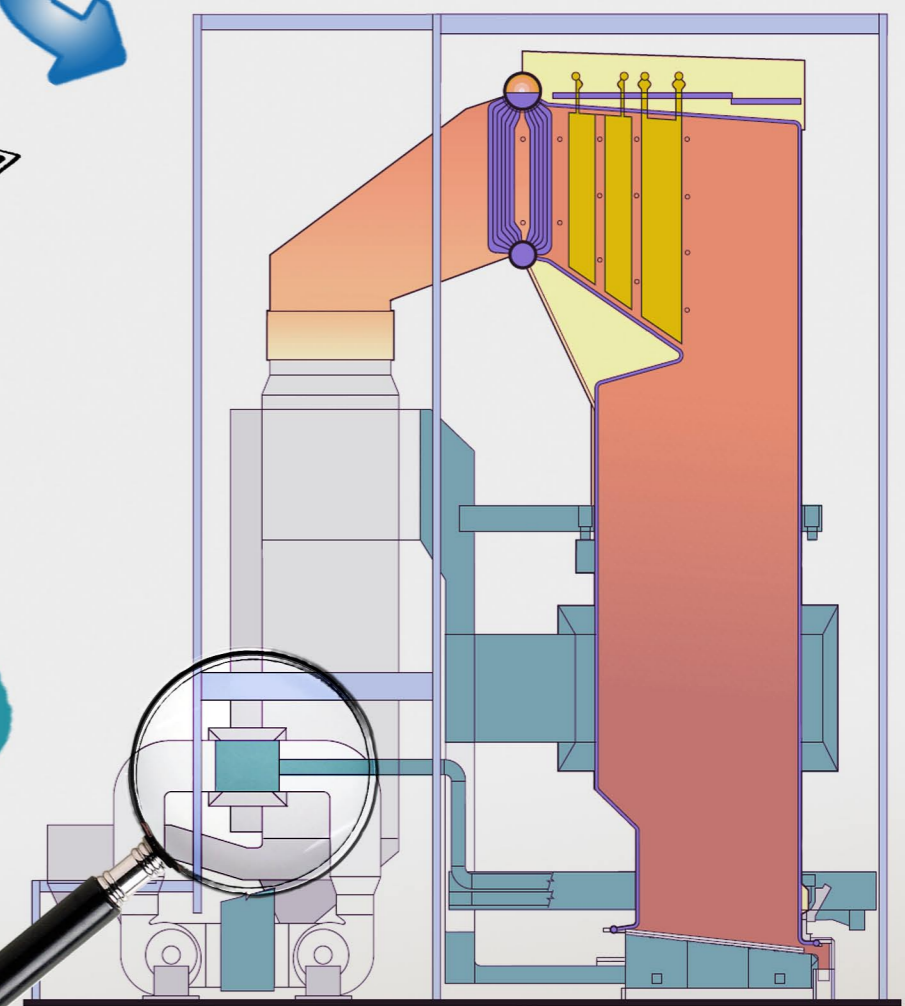
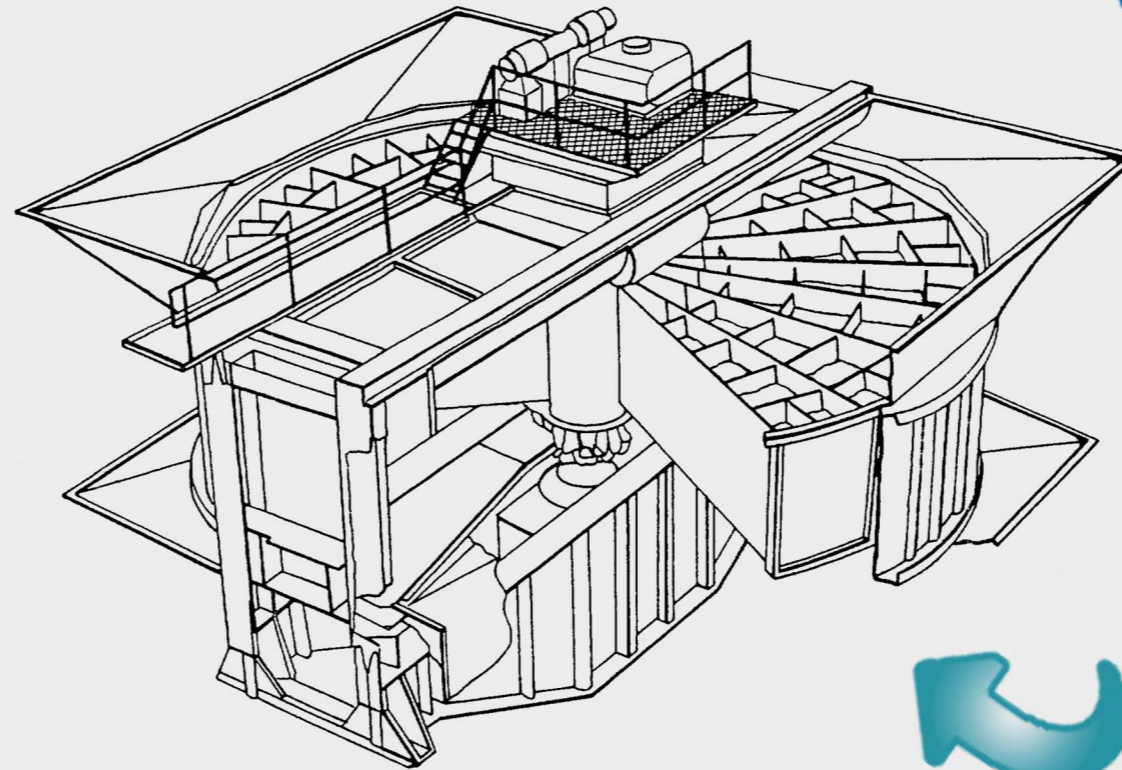
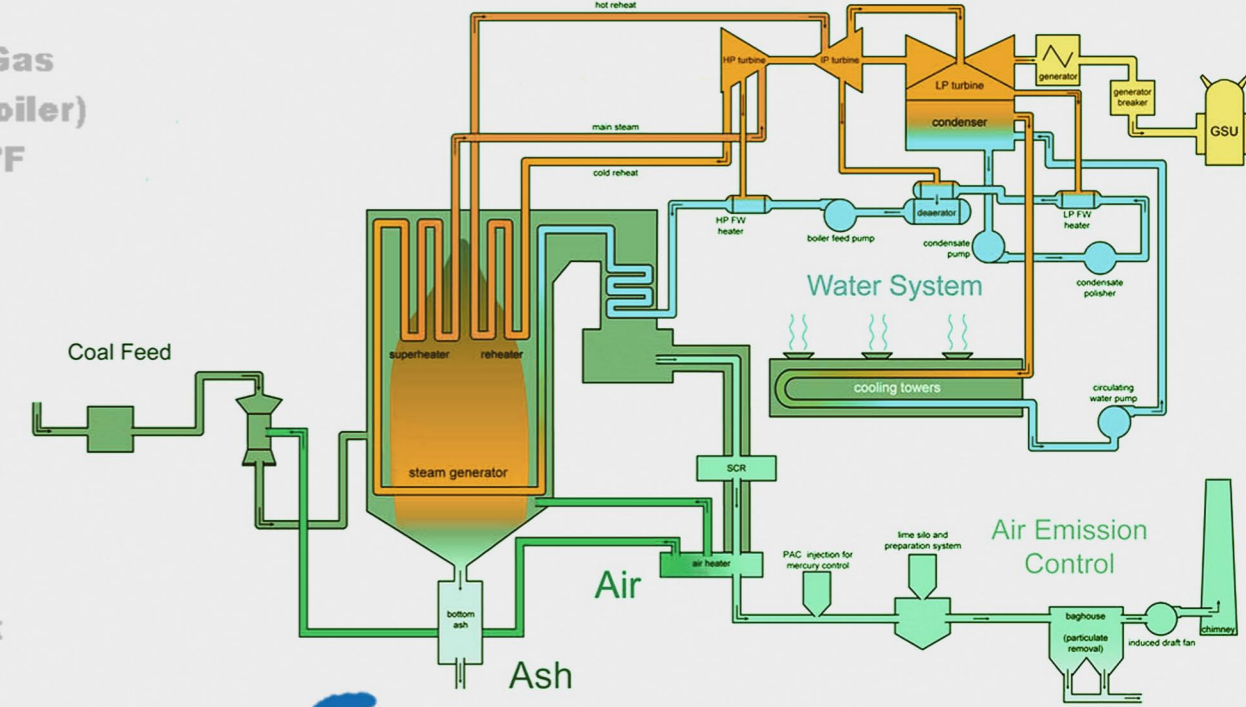
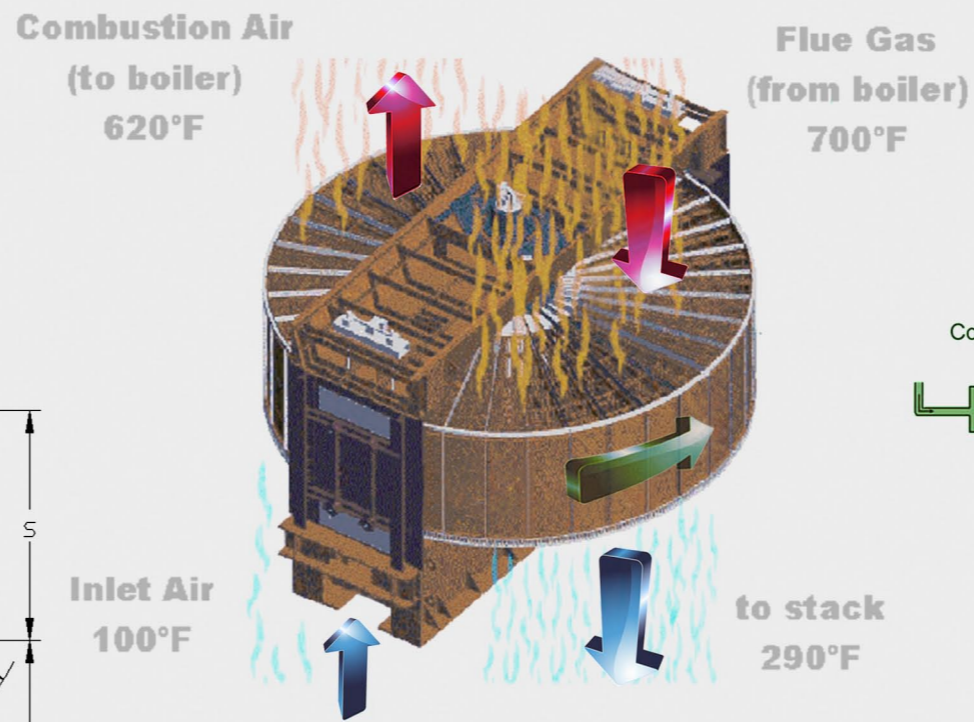
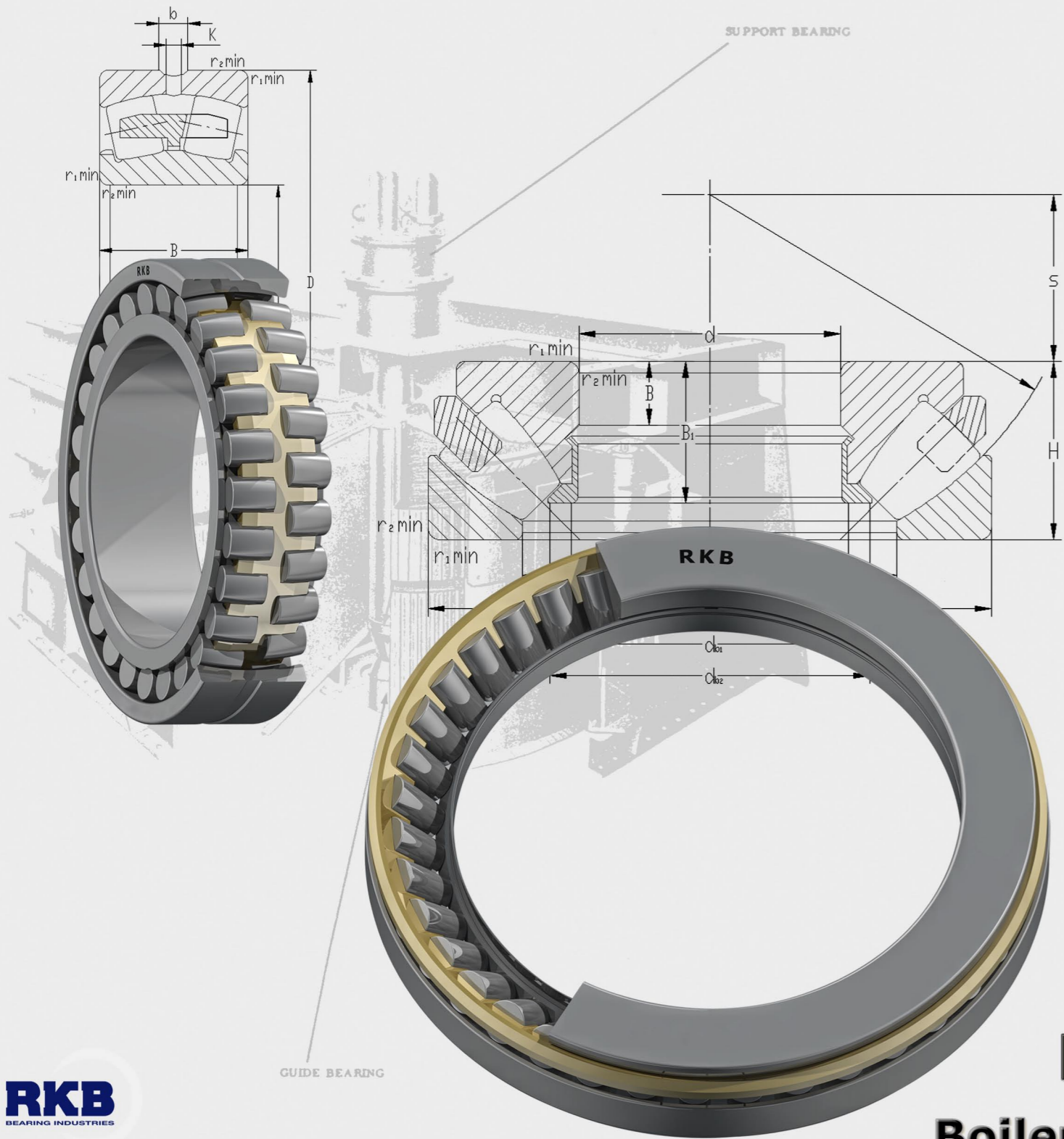
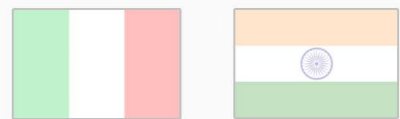




Main bearings:  
T3 Segment - Technological bearings



**Project 'ABI'**  
**Boiler for power generation**

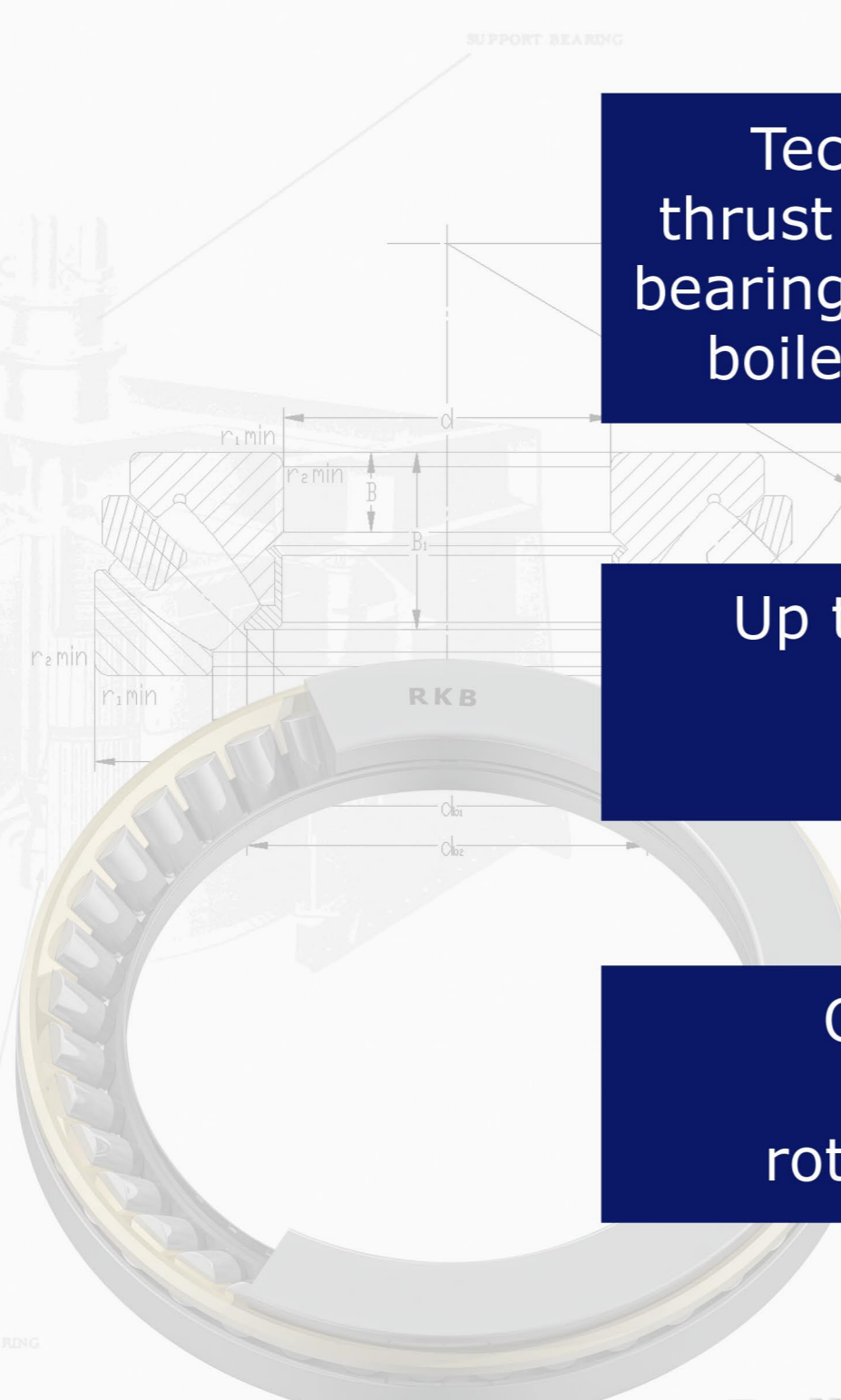
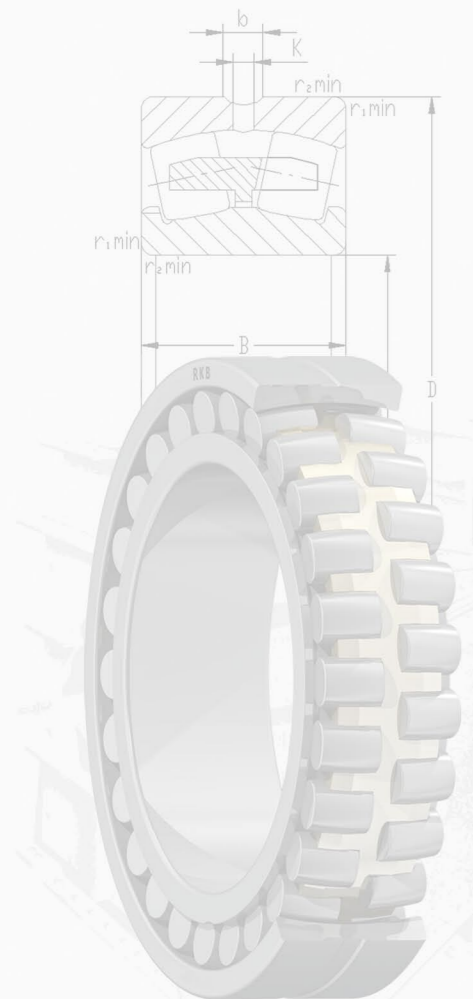


# Main bearings: T3 Segment - Technological bearings

Technological spherical roller thrust bearings and spherical roller bearings for vertical rotor of bi-drum boiler regenerative air preheater

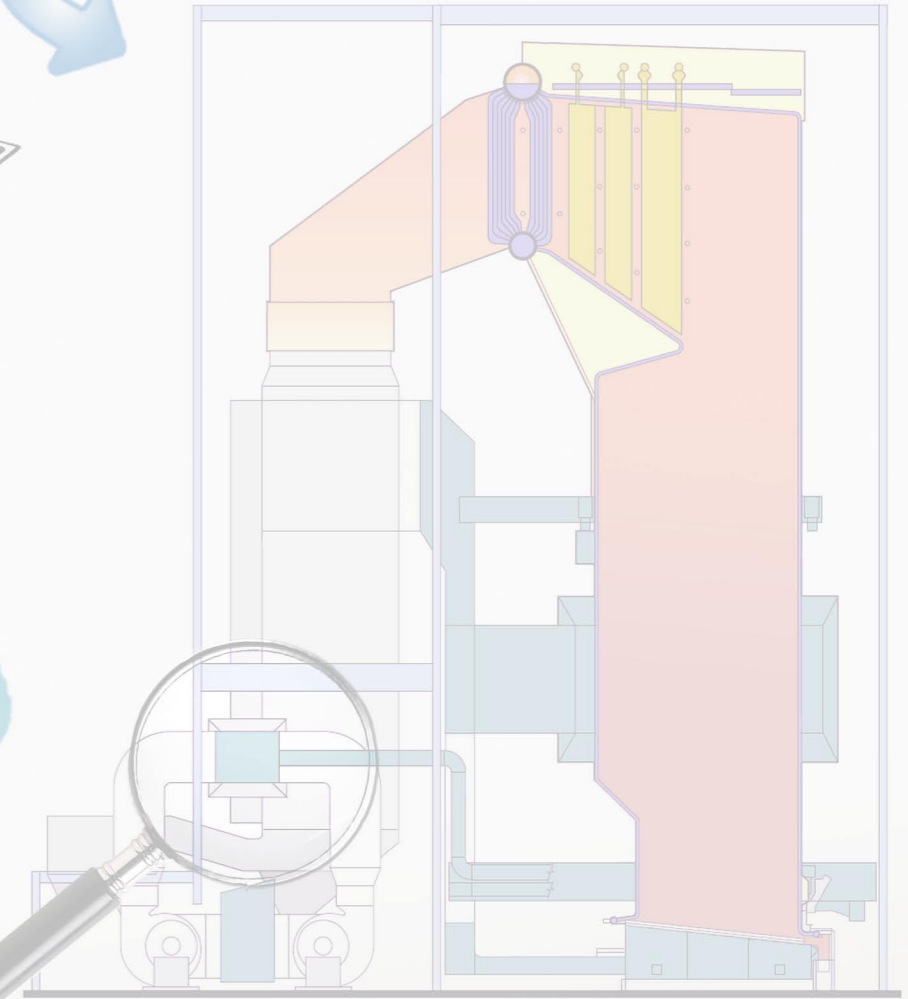
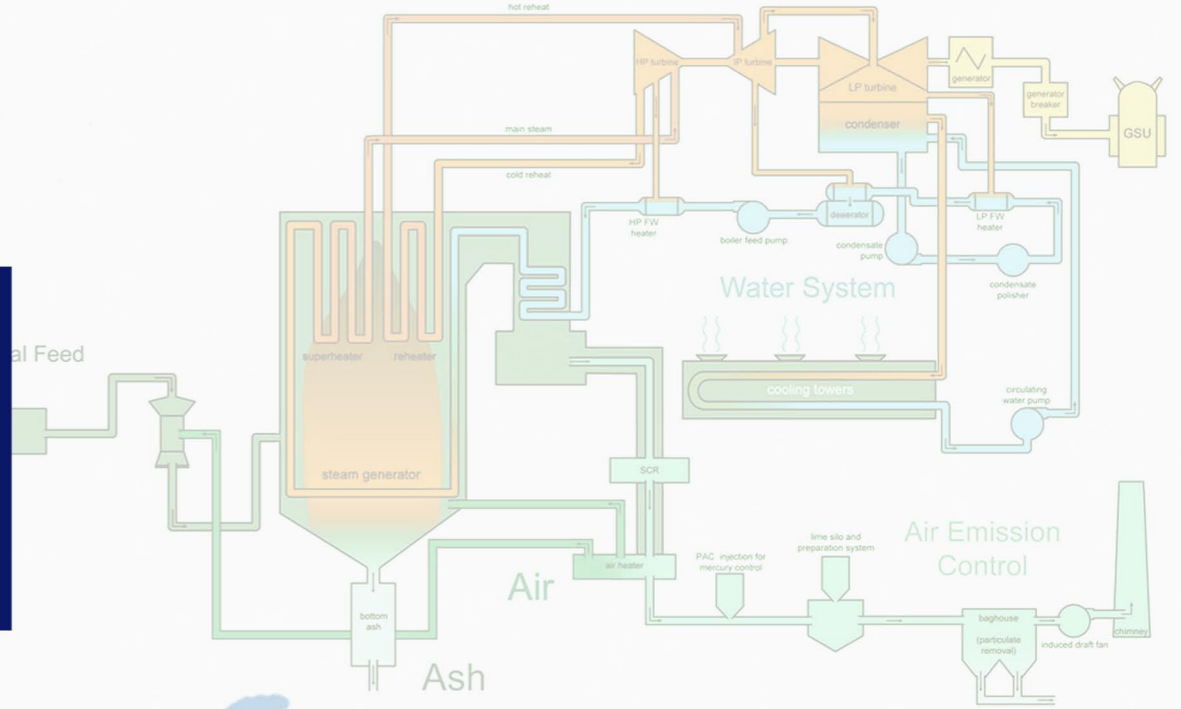
Up to 950 mm inner diameter and bearing unit mass exceeding 2950 kg

Optimized execution for heavy loads at low rotational speeds (3-5 rpm)



Combustion Air (to boiler) 620°F  
Flue Gas (from boiler) 700°F

100°F 290°F



## Project 'ABI' Boiler for power generation