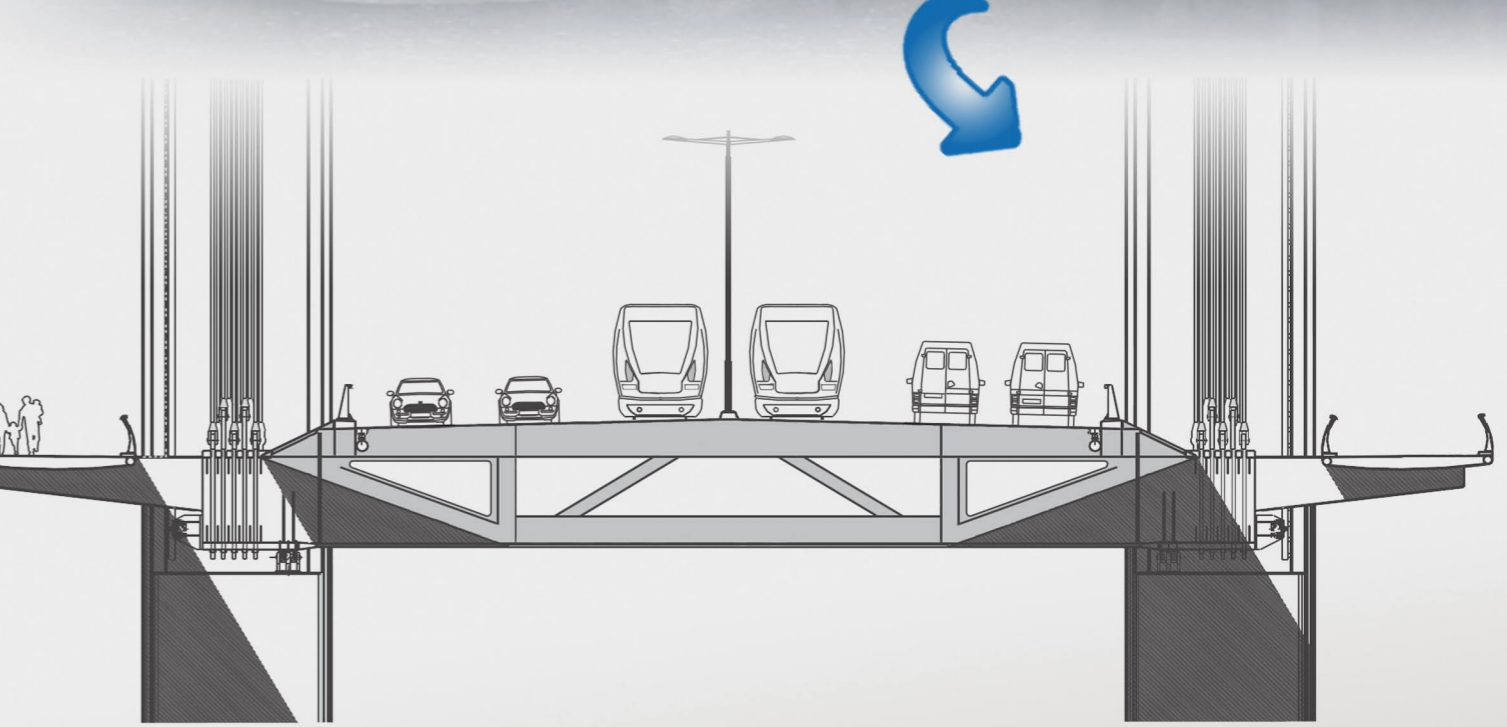
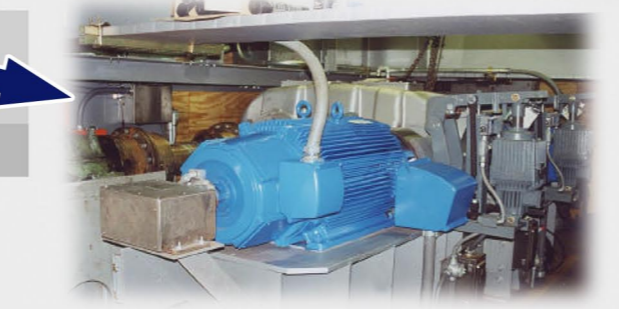
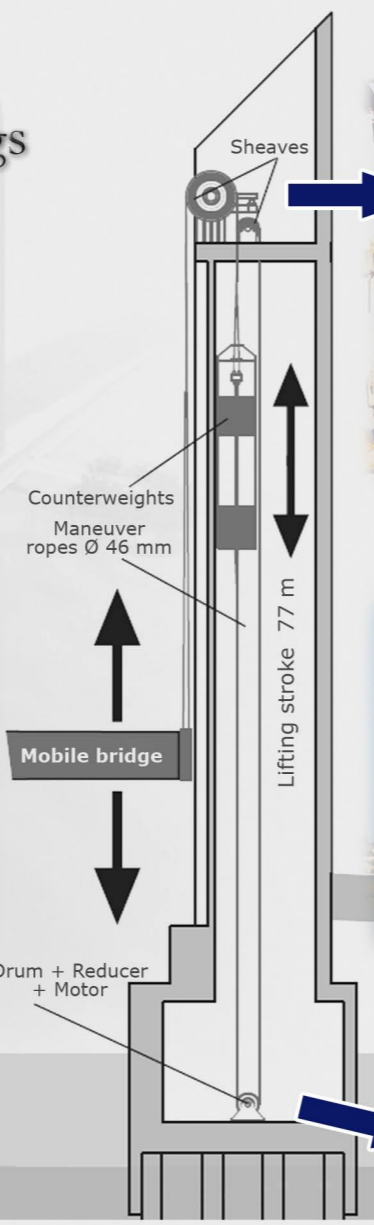
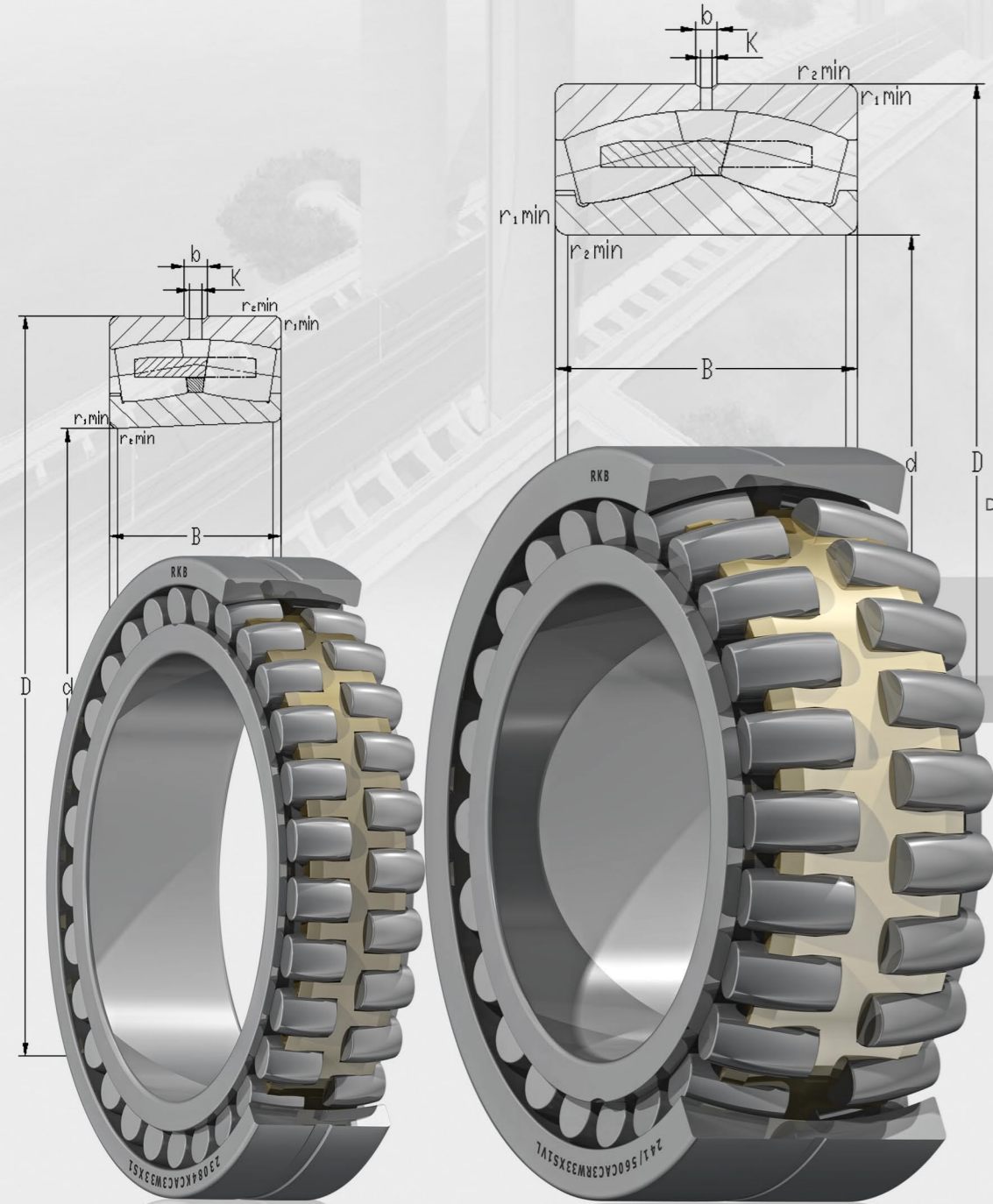


Main bearings:  
T3 Segment - Spherical roller bearings



**Project 'BBLS'**  
**Vertical lifting systems for bridge**



Main bearings:  
T3 Segment - Spherical roller bearings



Radial load on main bearing > 8000 kN

Safety factor ( $S_0$ ) as per bridge design and safety specifications

Rolling evaluated to the limits of elastohydrodynamic contacts

Project 'BBLS'

Vertical lifting systems for bridge

