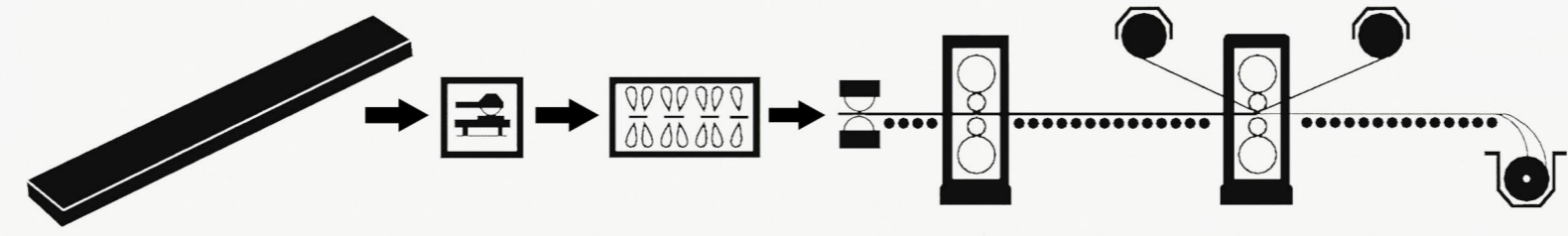
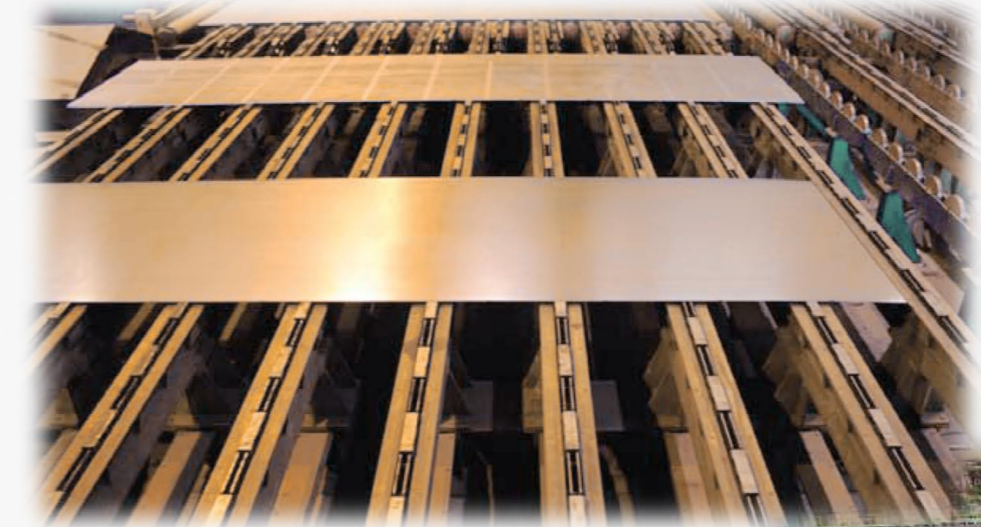
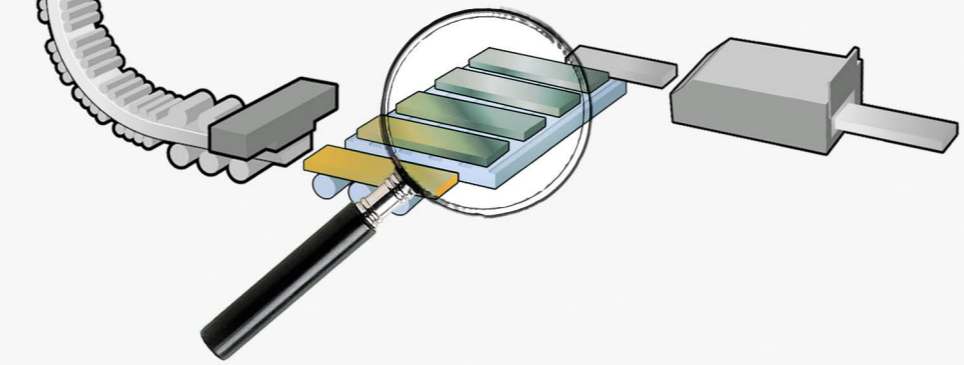
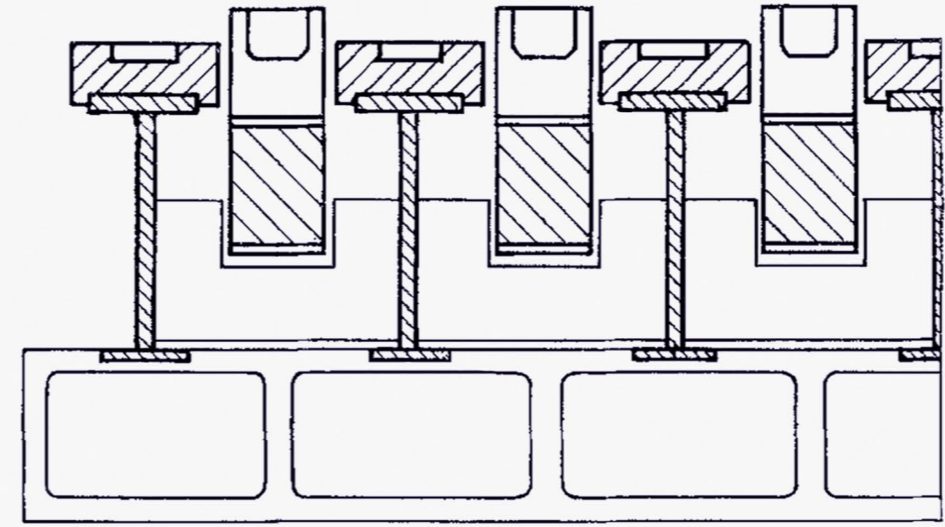
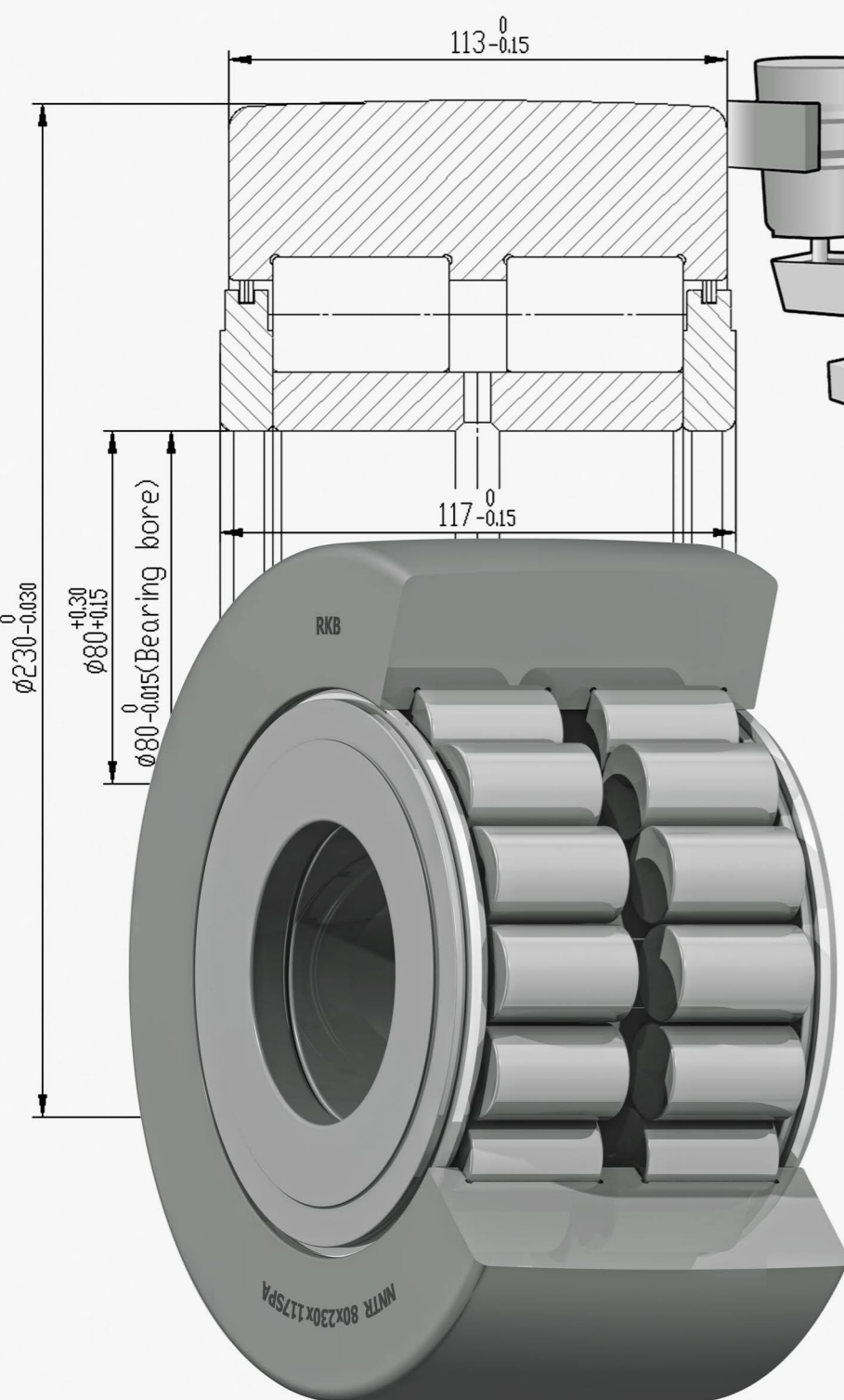




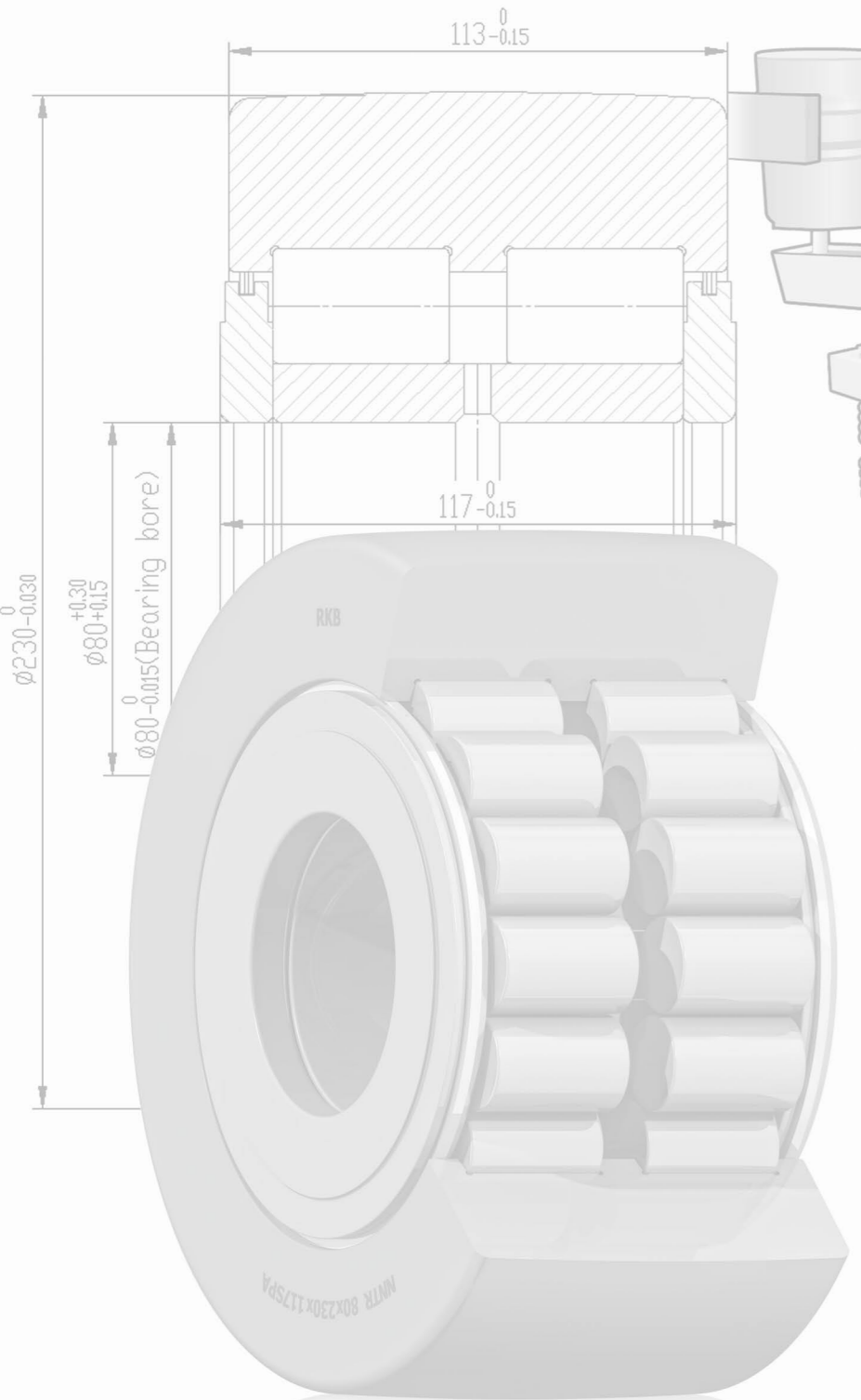
Main bearings: T3 Segment - Double-row full complement cylindrical roller bearings



Project 'NNTR/SPA'
Slab conveyor chain of hot strip mill



Main bearings: T3 Segment - Double-row full complement cylindrical roller bearings

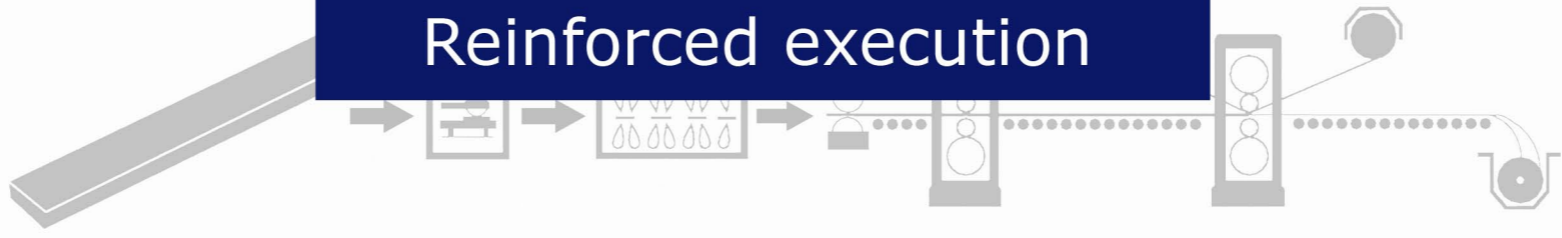


$C_r > 750$ kN according to ISO 281

Anti-Wear Technology (AWT) for extended service life

Bainite Treatment for outer rings (HB2)

Reinforced execution



Project 'NNTR/SPA'

Slab conveyor chain of hot strip mill

