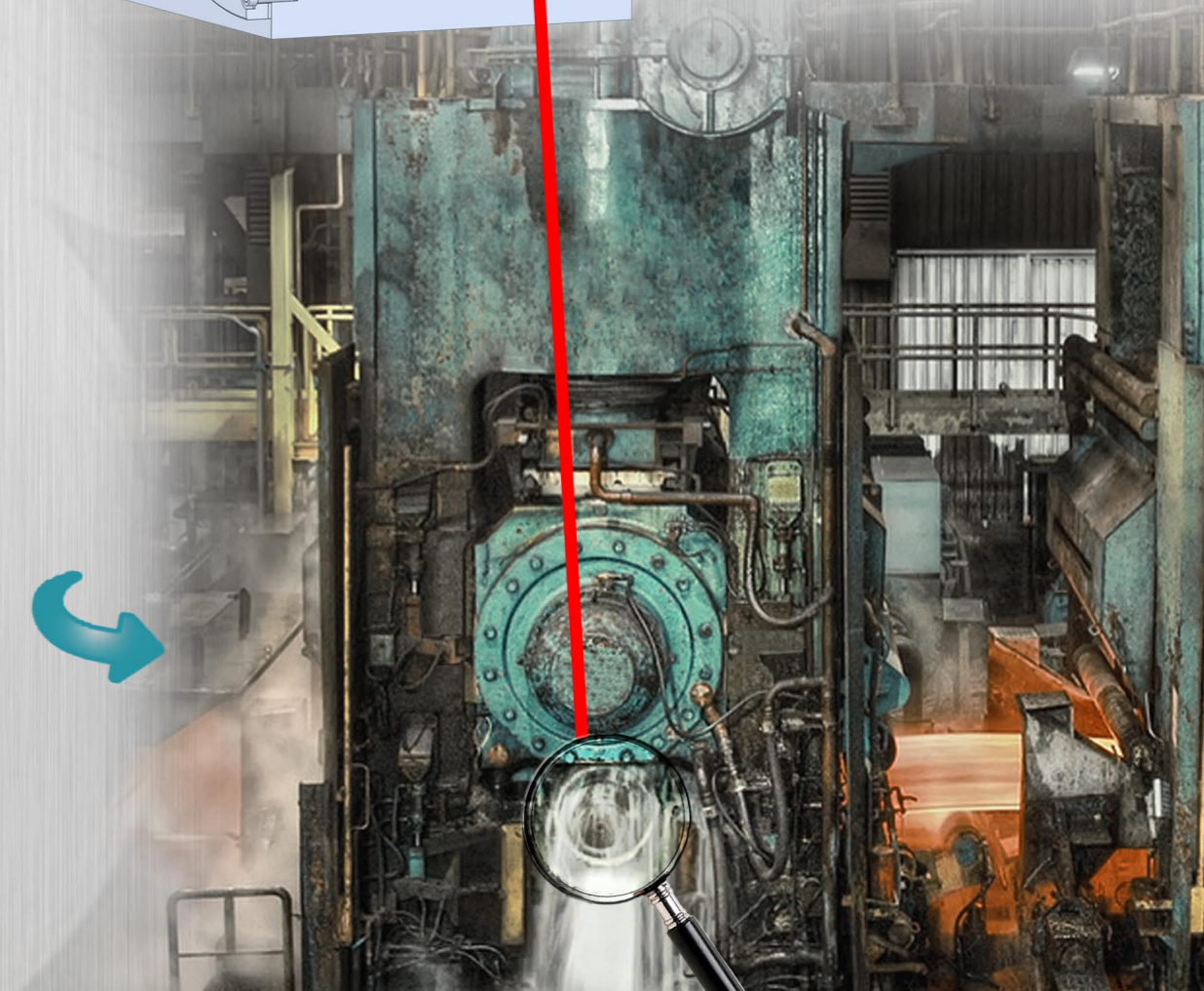
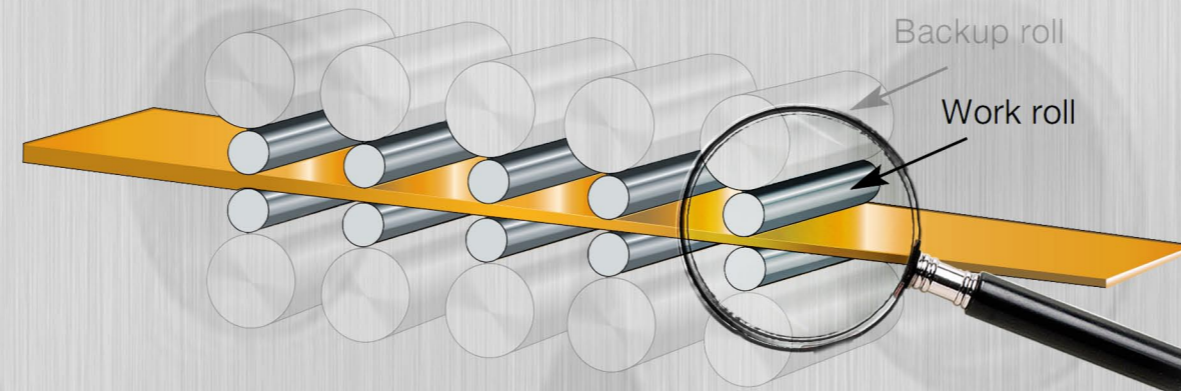
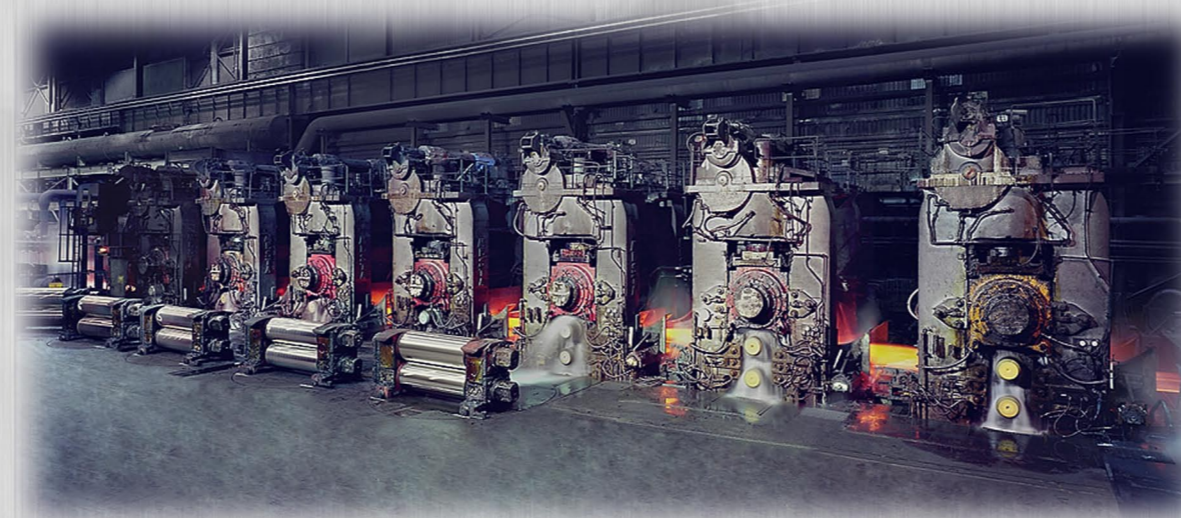
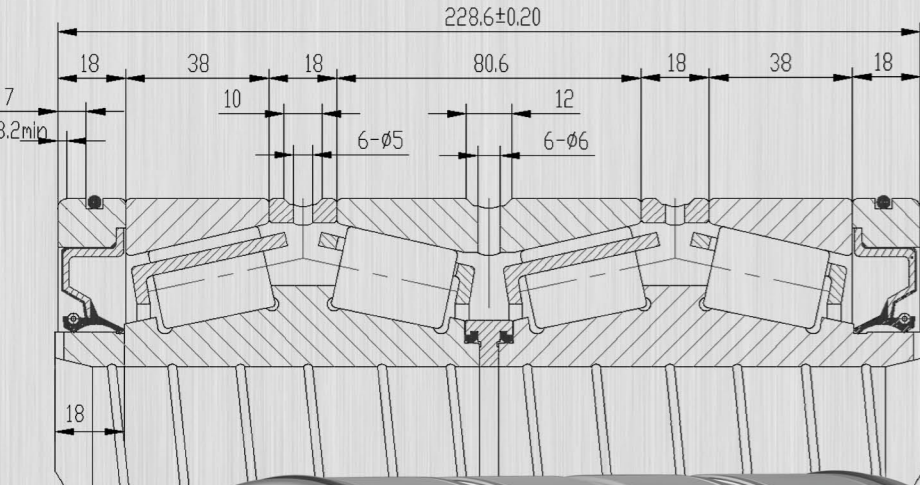
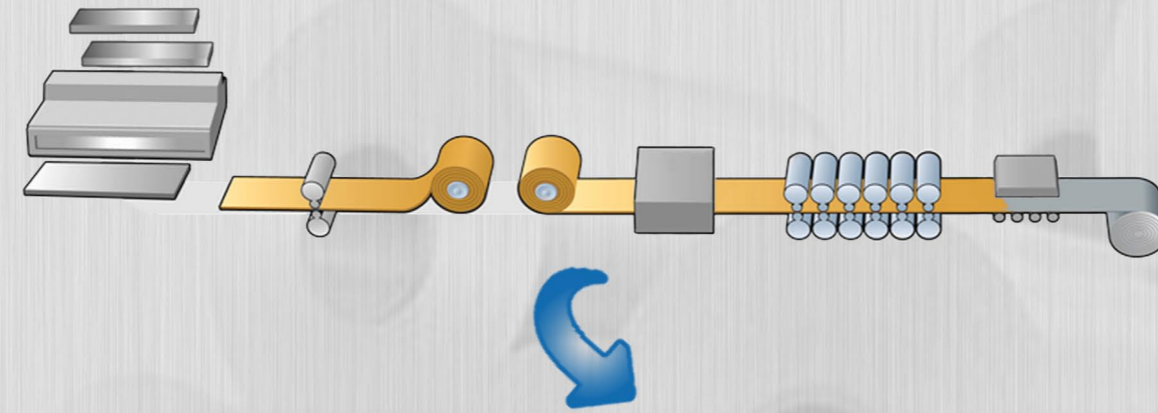
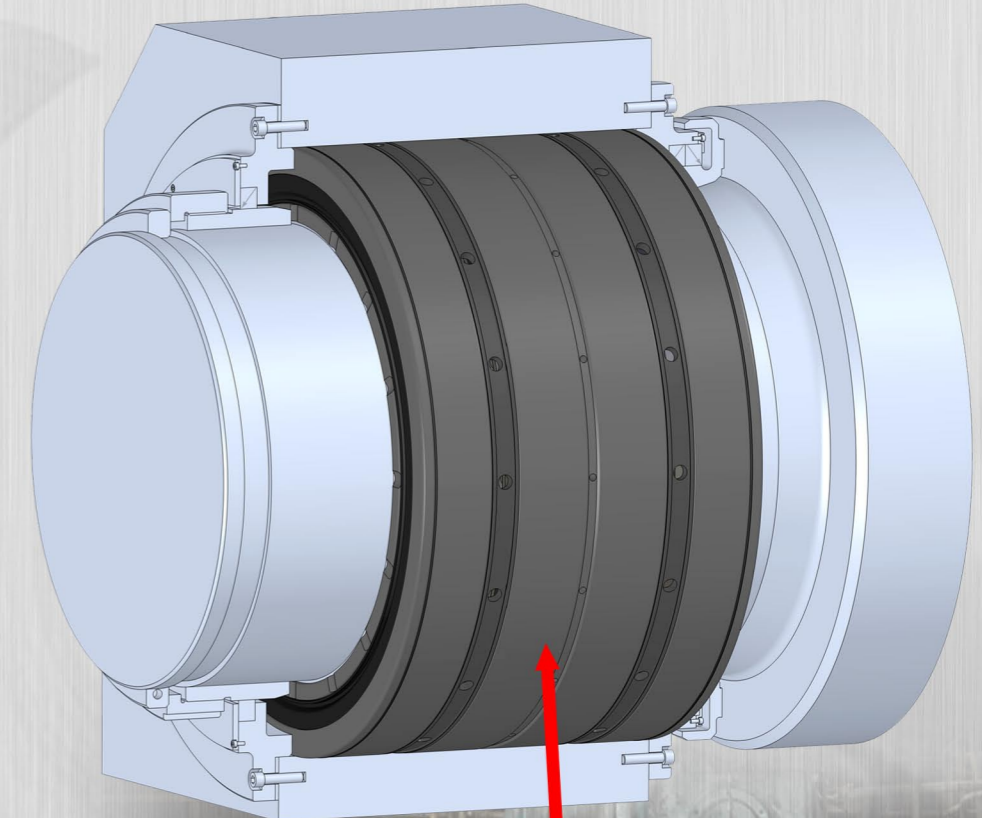
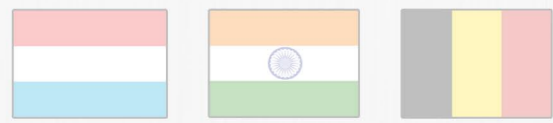




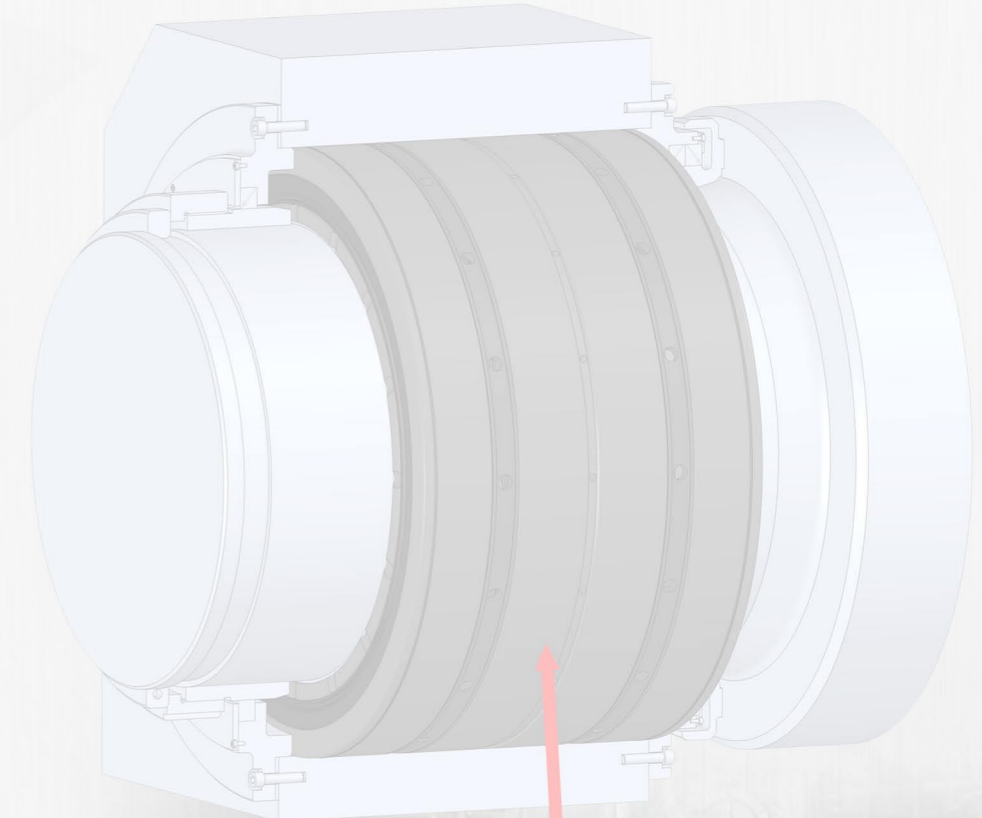
Main bearings:
T3 Segment - Sealed four-row taper roller bearings



Project 'TQOS/AVS2'
Work rolls of hot rolling mill stands



Main bearings:
T3 Segment - Sealed four-row taper roller bearings



Long life series bearings



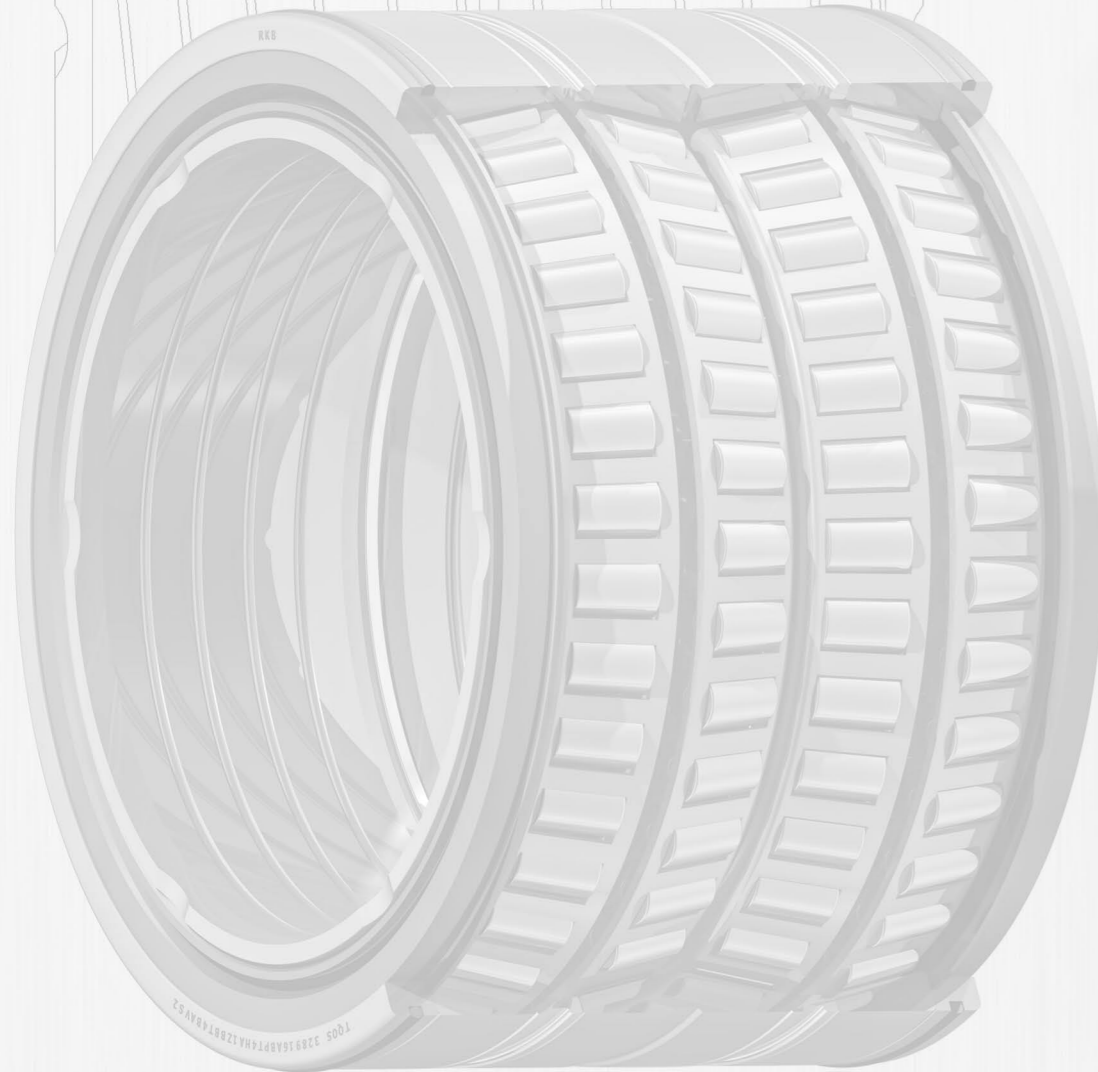
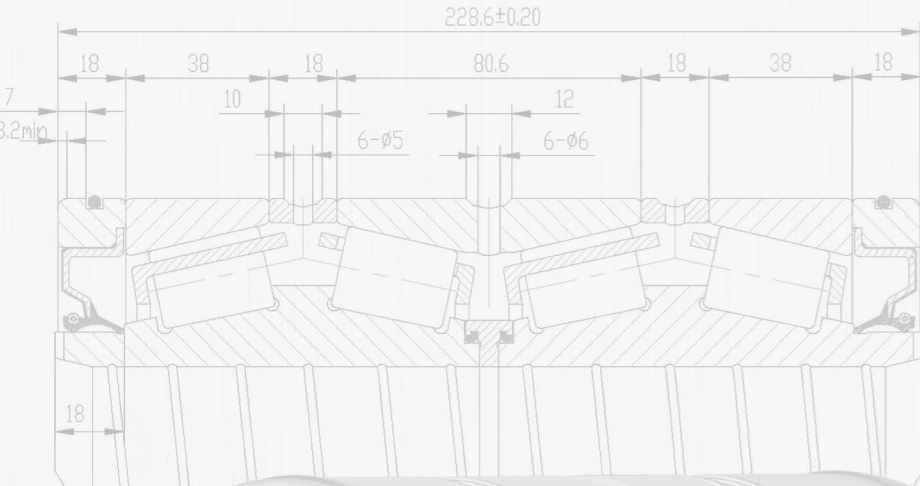
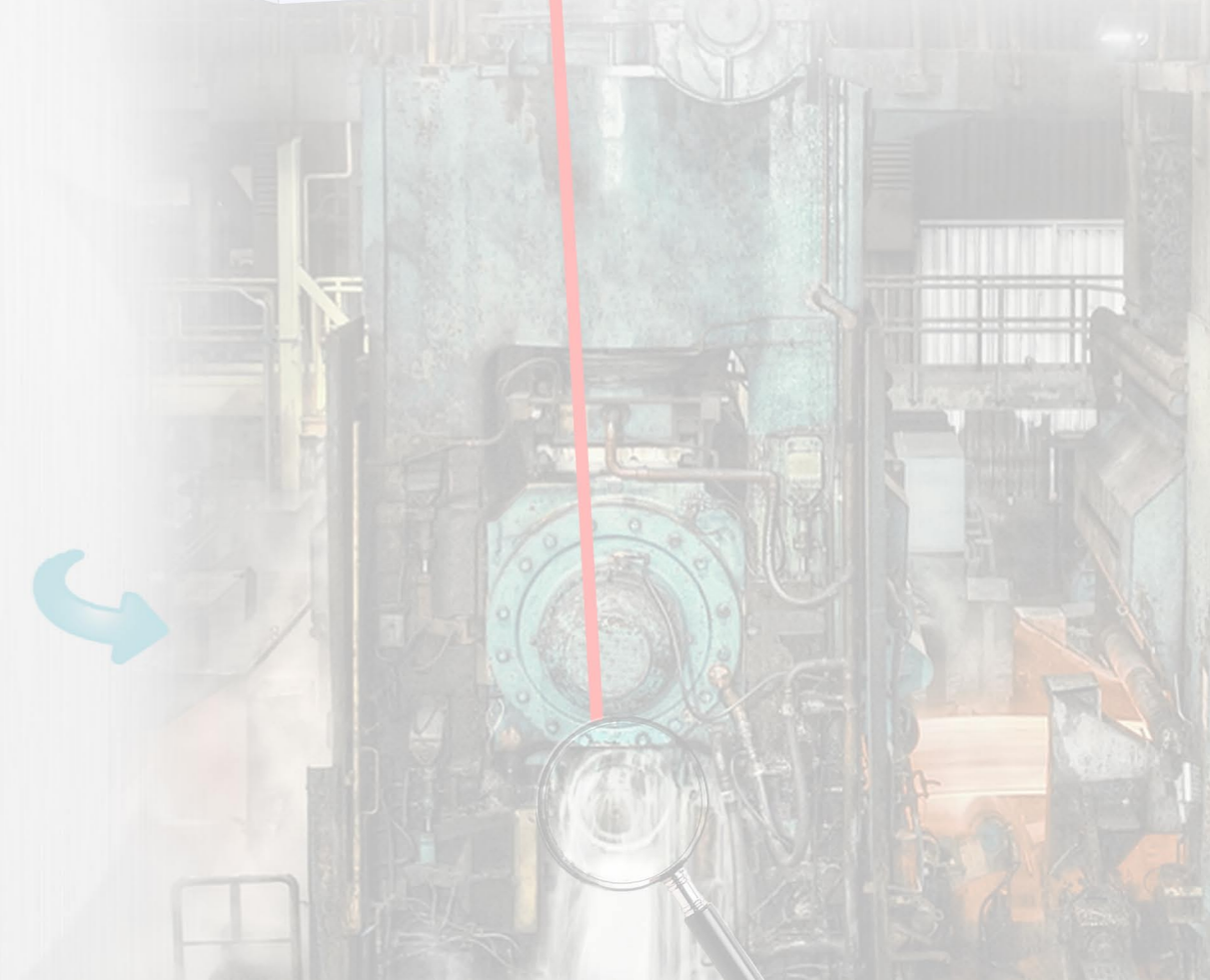
Phosphate Treatment for rings, rollers and spacers (PT4)



Increase of rolling efficiency by stable operation



Easier handling of seals



Project 'TQOS/AVS2'
Work rolls of hot rolling mill stands