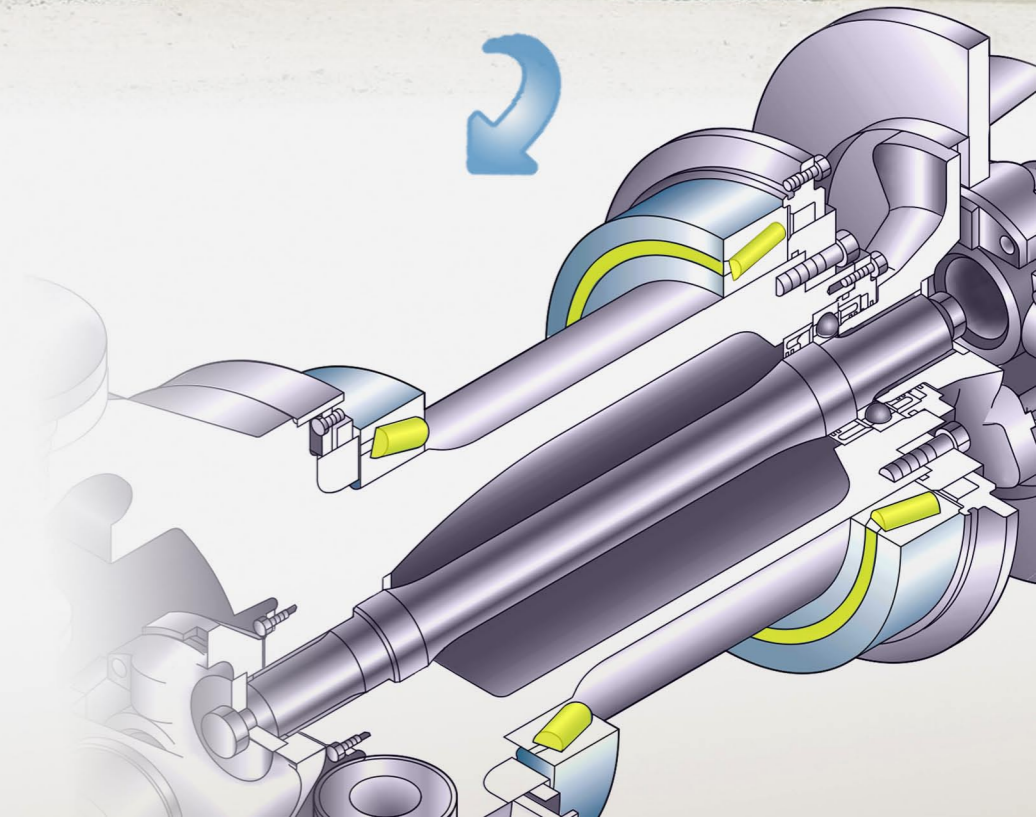
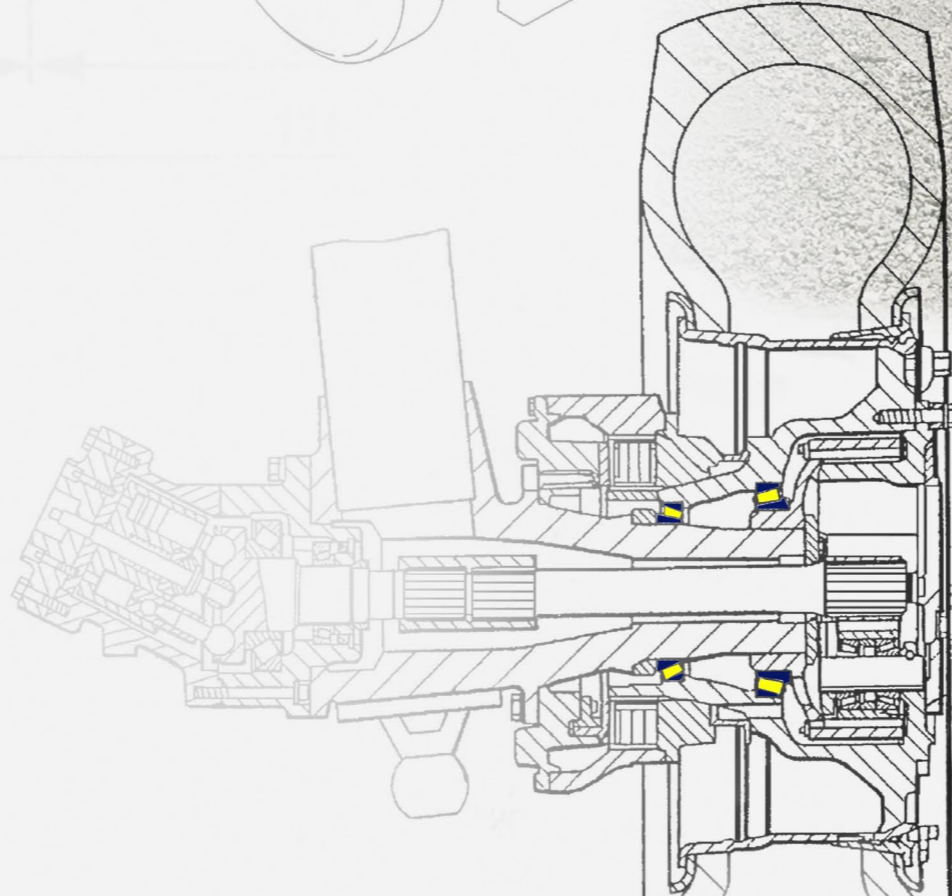
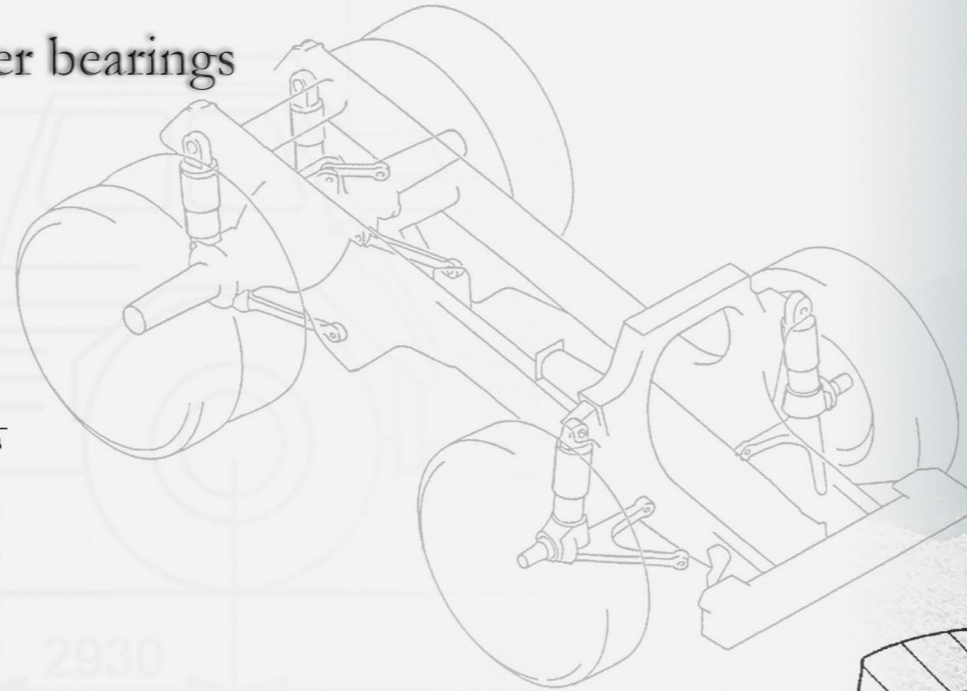
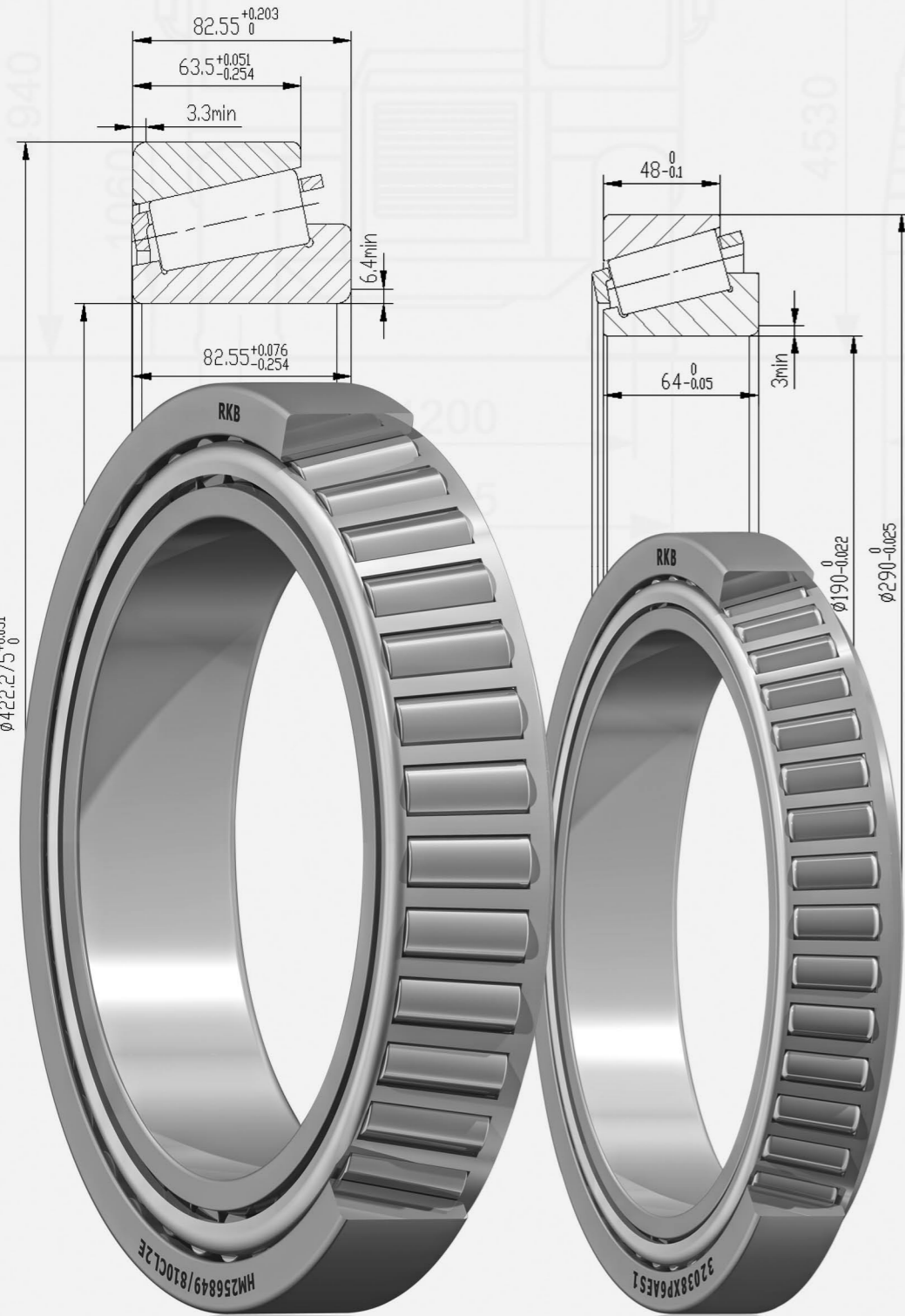




Main bearings:
T3 Segment - Single-row taper roller bearings



Project 'Dumper Transmission'
Front and rear axles of dump trucks



Main bearings:

T3 Segment - Single-row taper roller bearings



Single-row taper roller bearings for dumper transmission (wheel hubs of front and rear axles)

Up to 300 mm inner diameter and 422 mm outer diameter

E-Type design and execution for high load capacity, higher accuracy and shock resistance

Rating life (L_{10}) > 100000 km of the vehicle

Project 'Dumper Transmission' Front and rear axles of dump trucks

