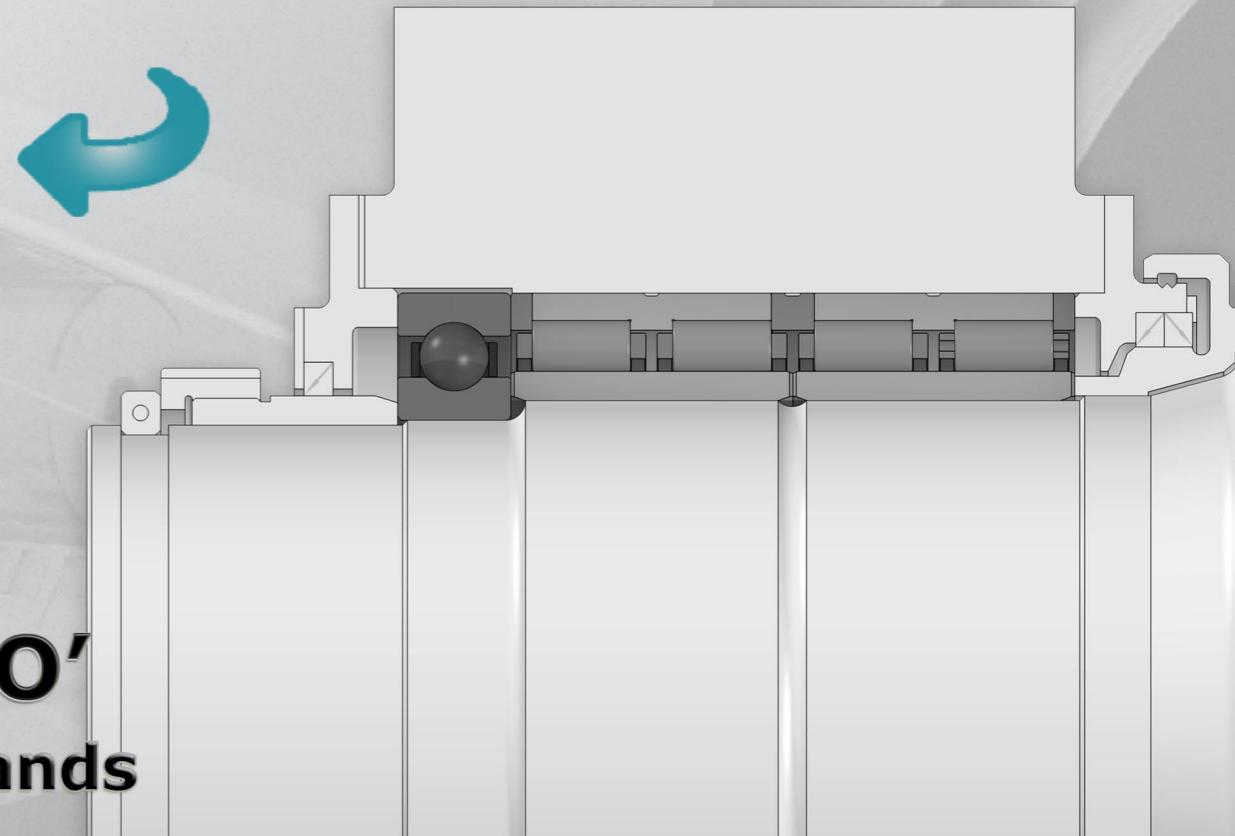
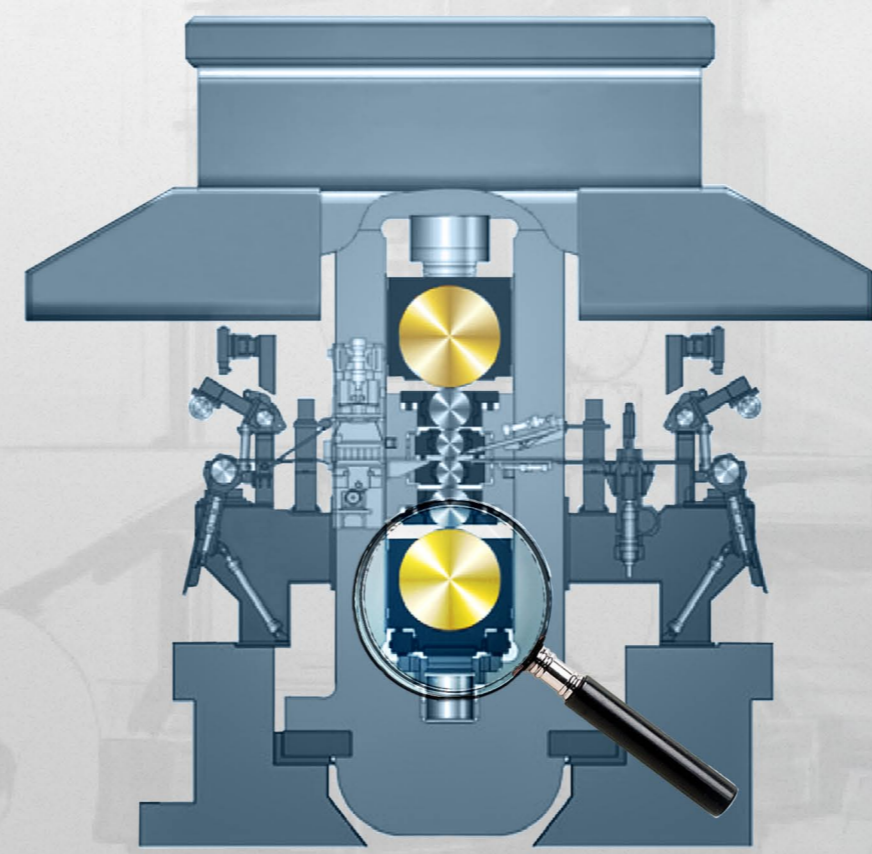
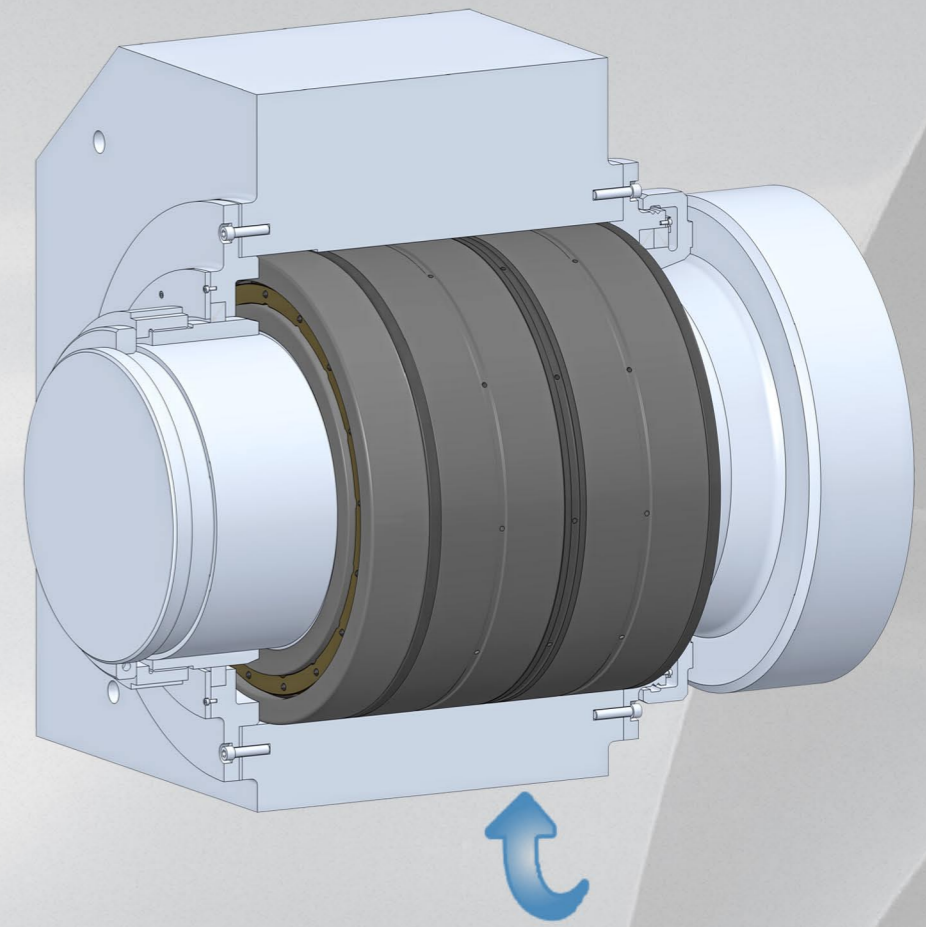
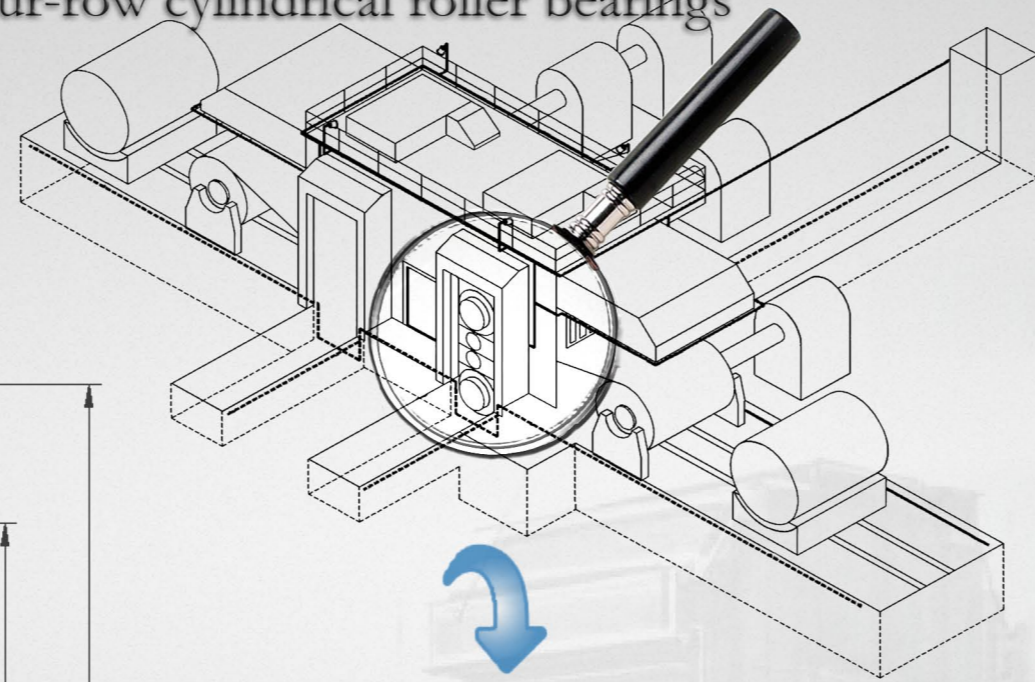
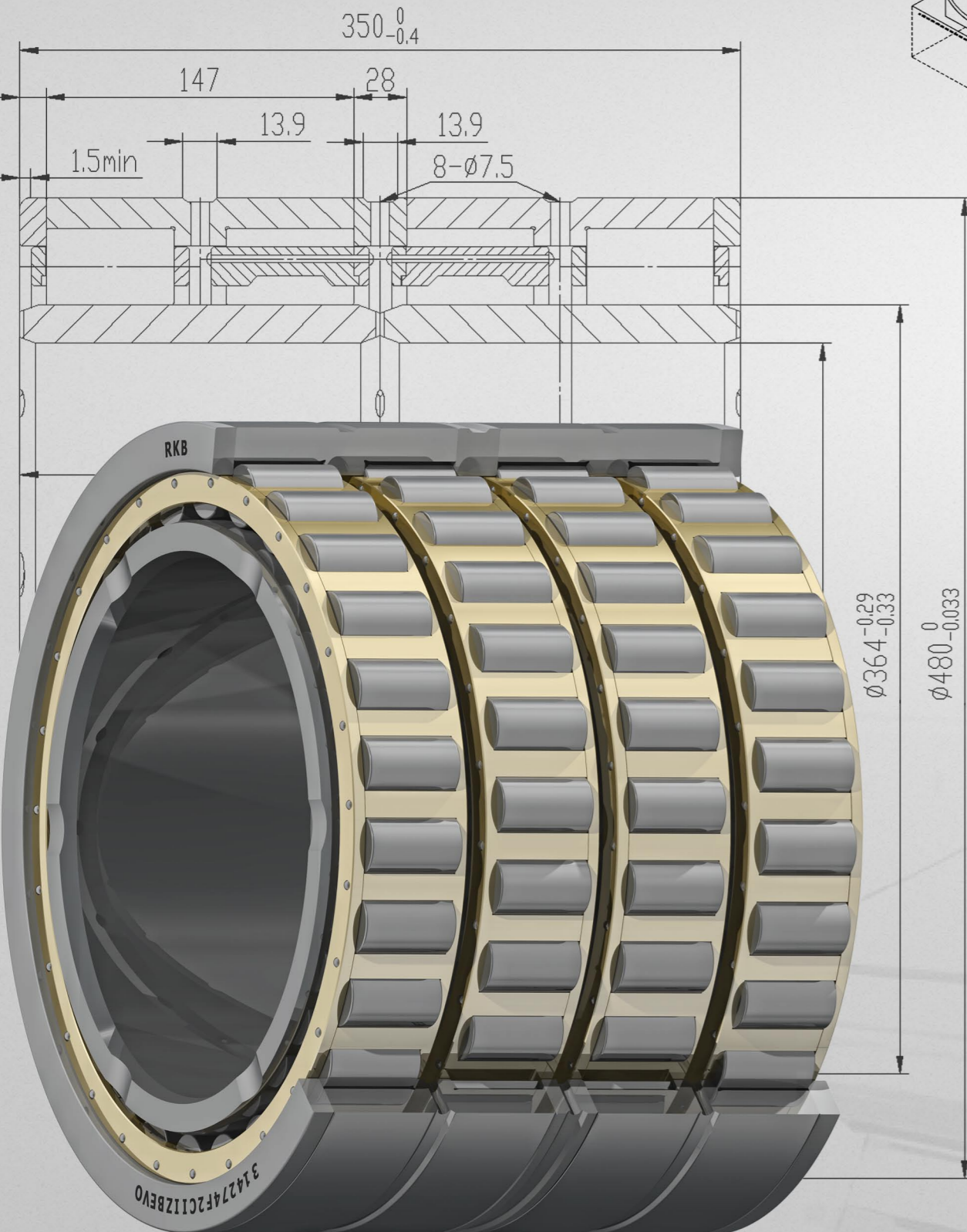




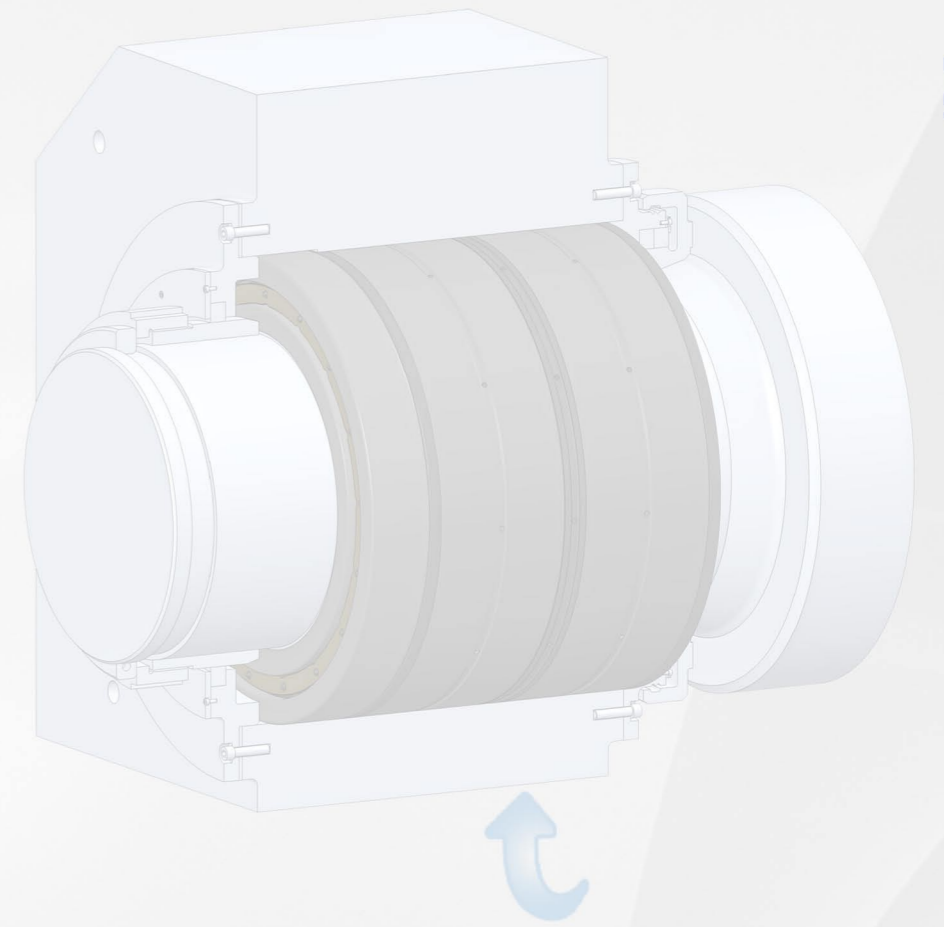
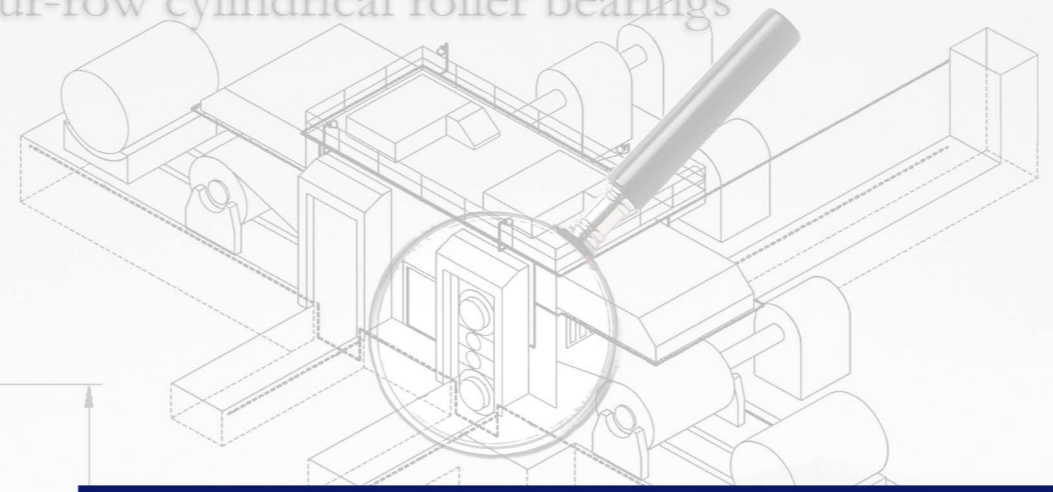
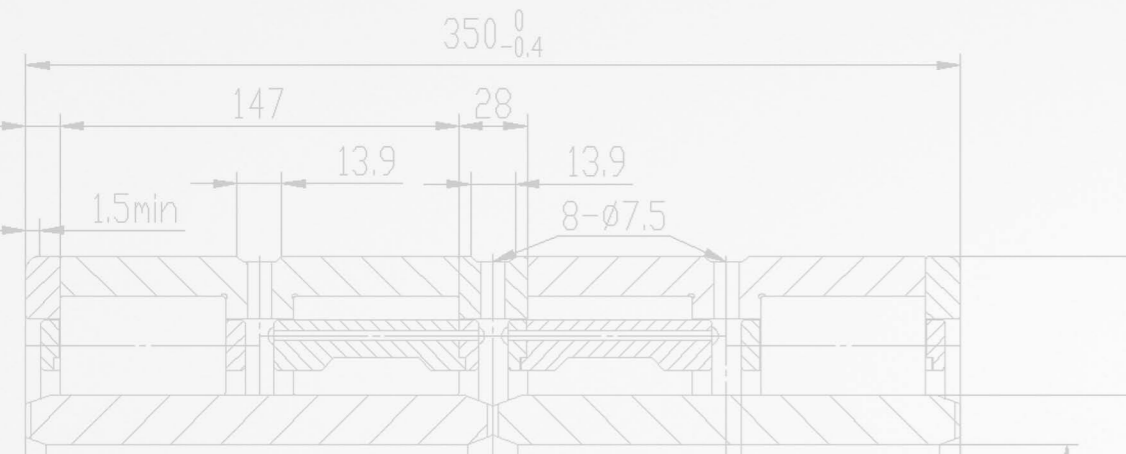
Main bearings: T3 Segment - Four-row cylindrical roller bearings



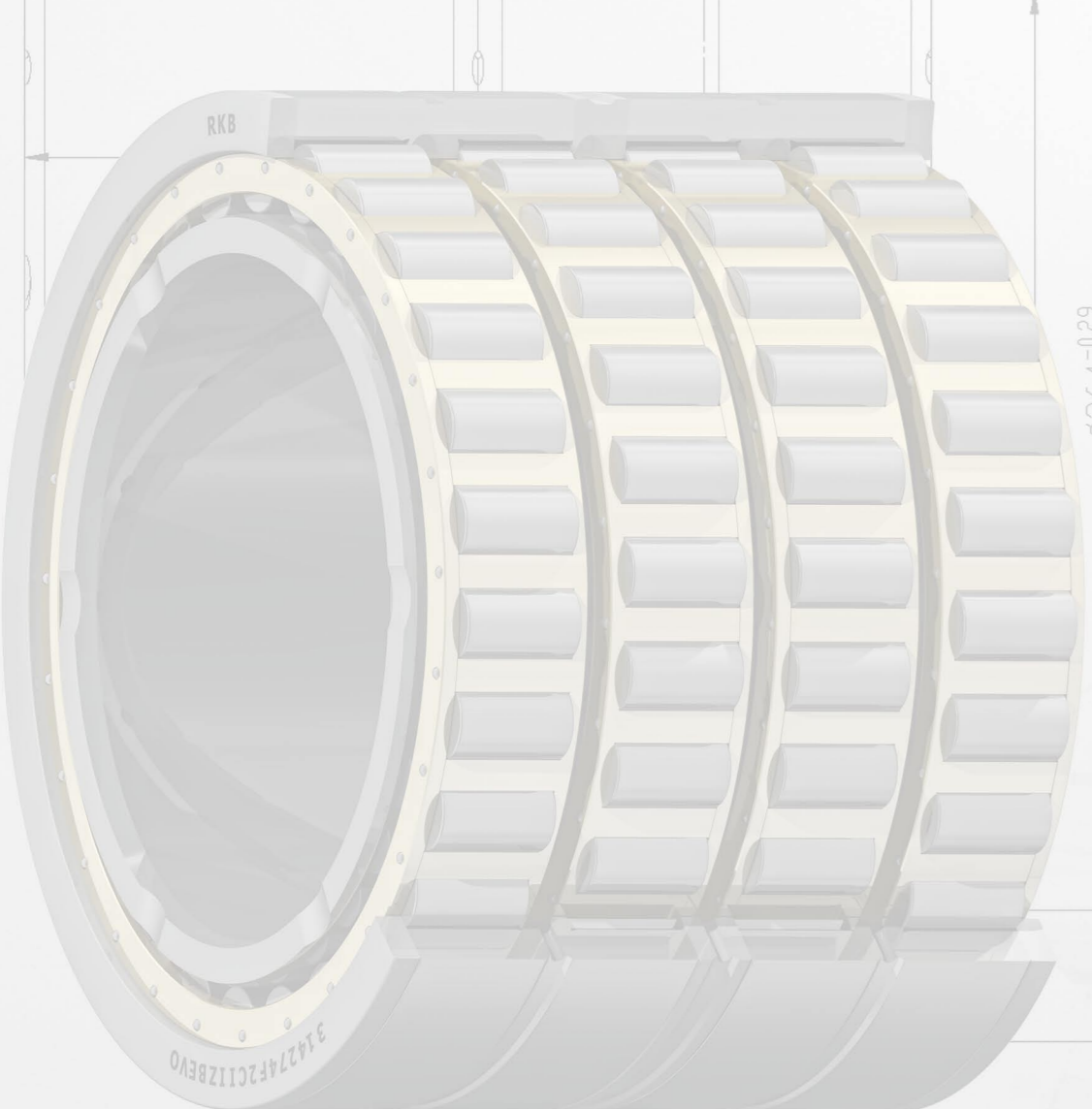
**Project 'Multiroll EVO'**  
Backup rolls of rolling mill stands



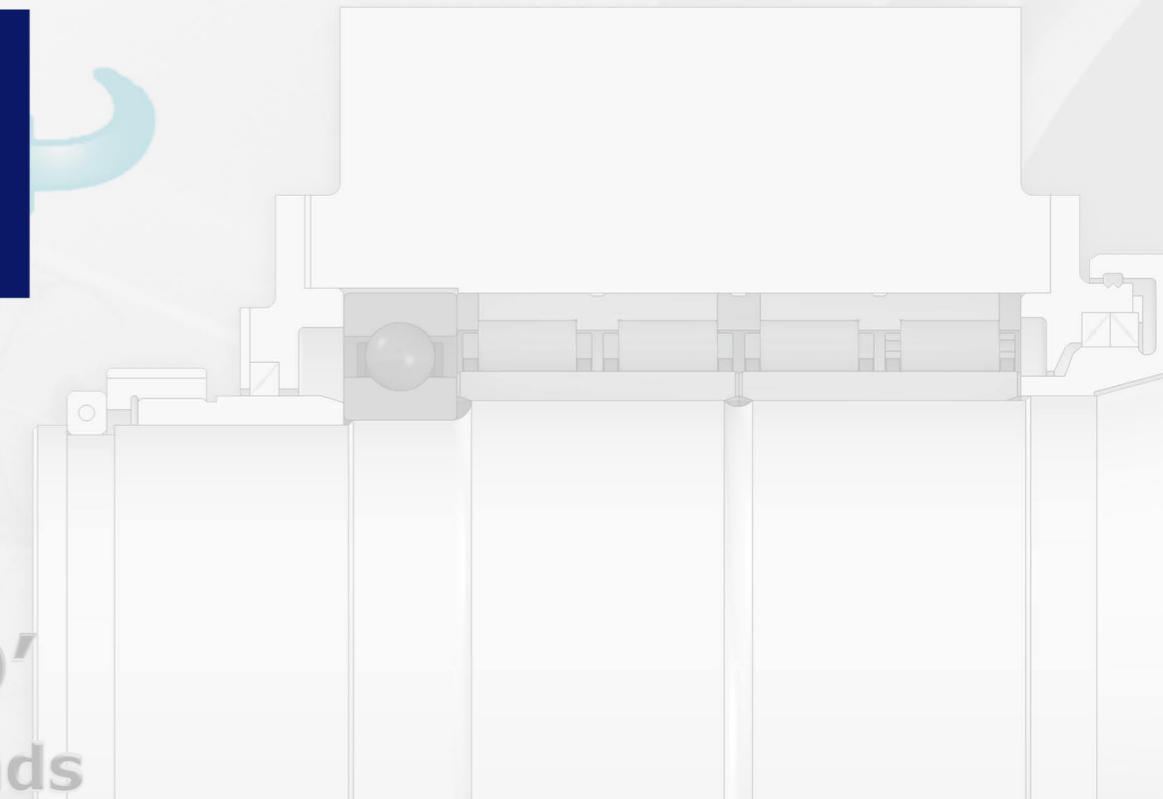
Main bearings: T3 Segment - Four-row cylindrical roller bearings



Internal design evolution for improved rolling accuracy at high speeds



Cage design incorporating a large number of rollers as an alternative to pierced roller version



**Project 'Multiroll EVO'**  
Backup rolls of rolling mill stands