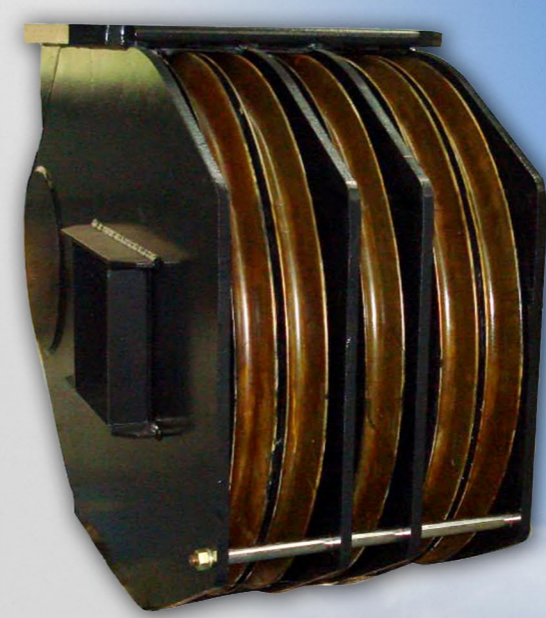
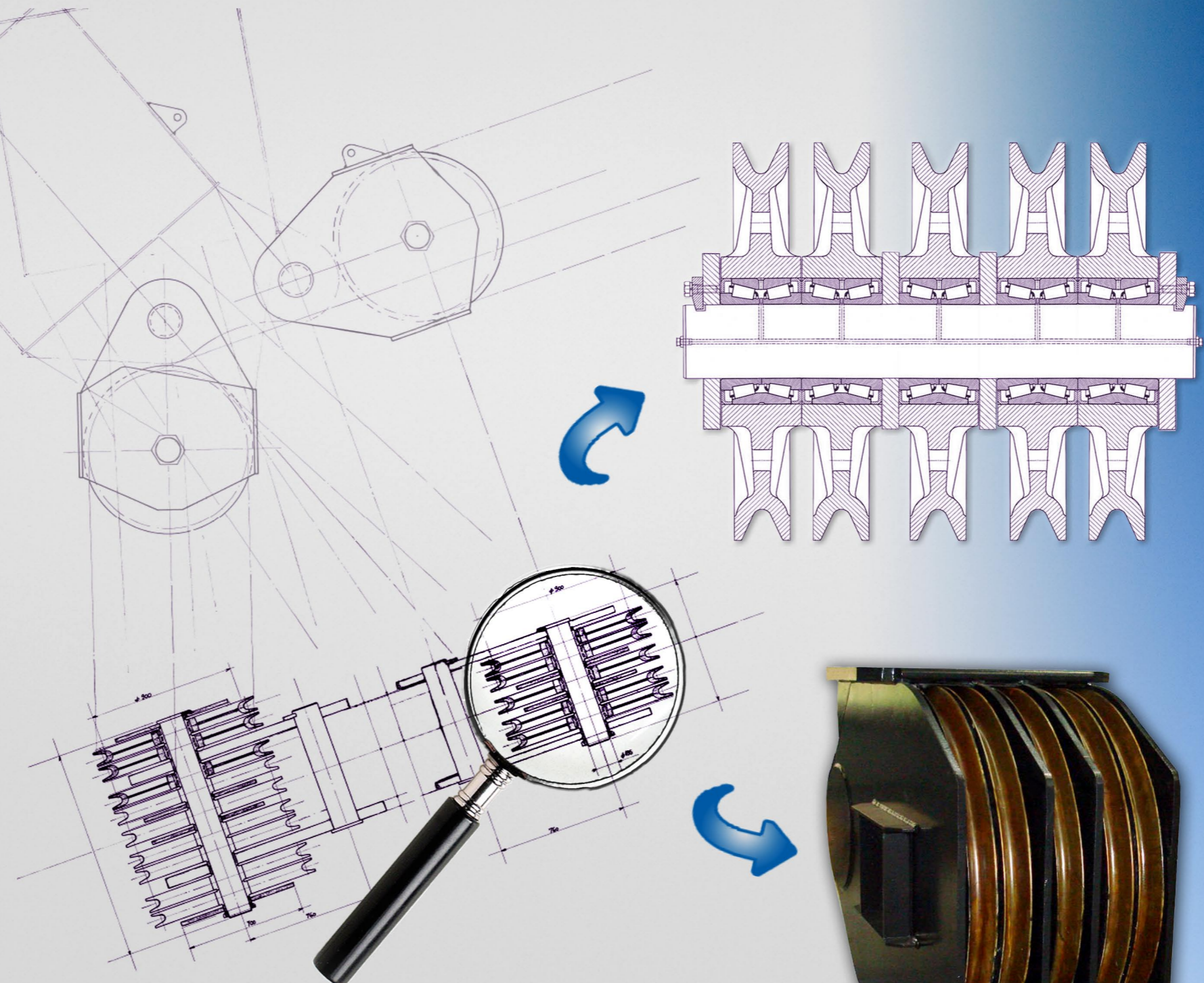
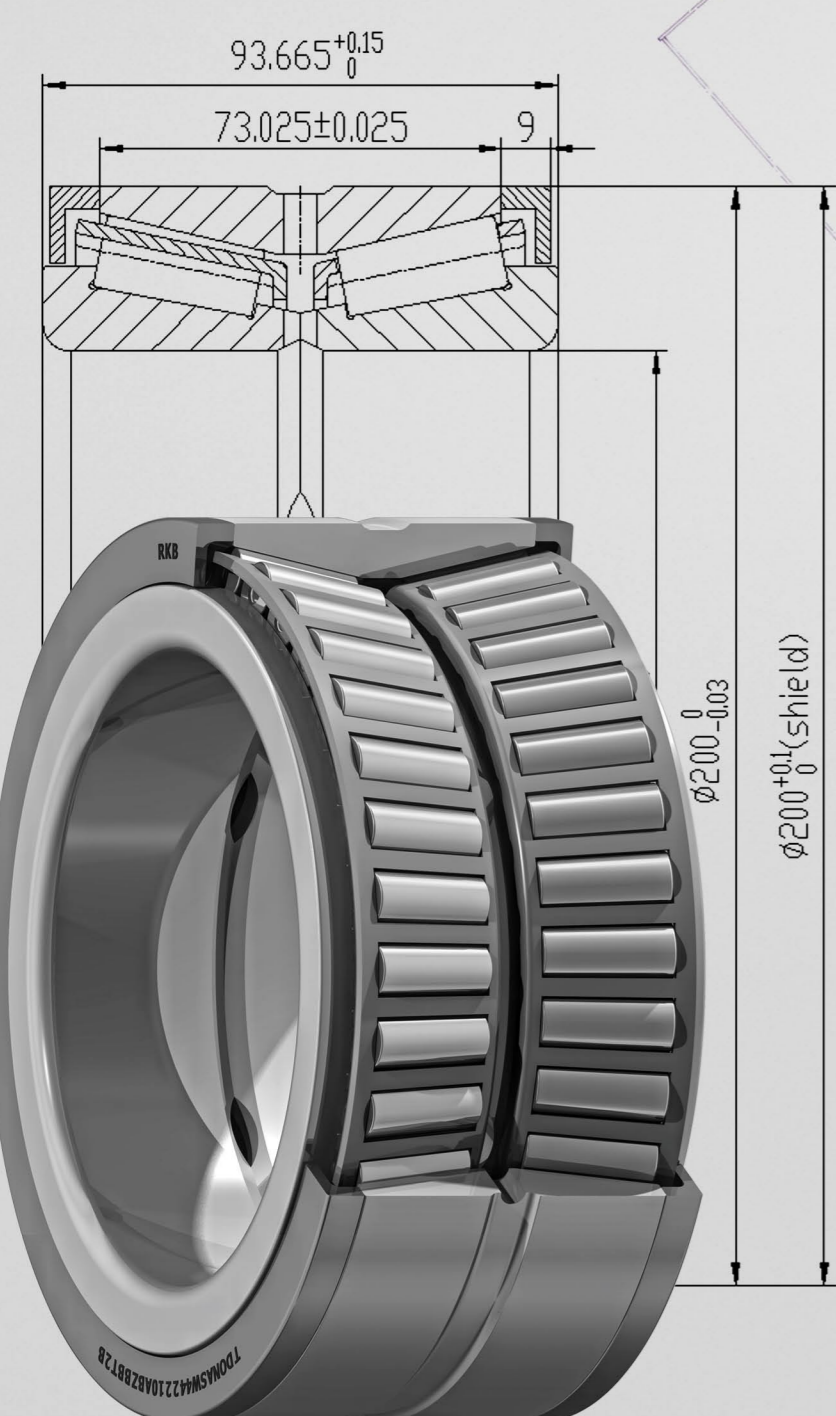
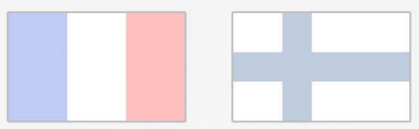




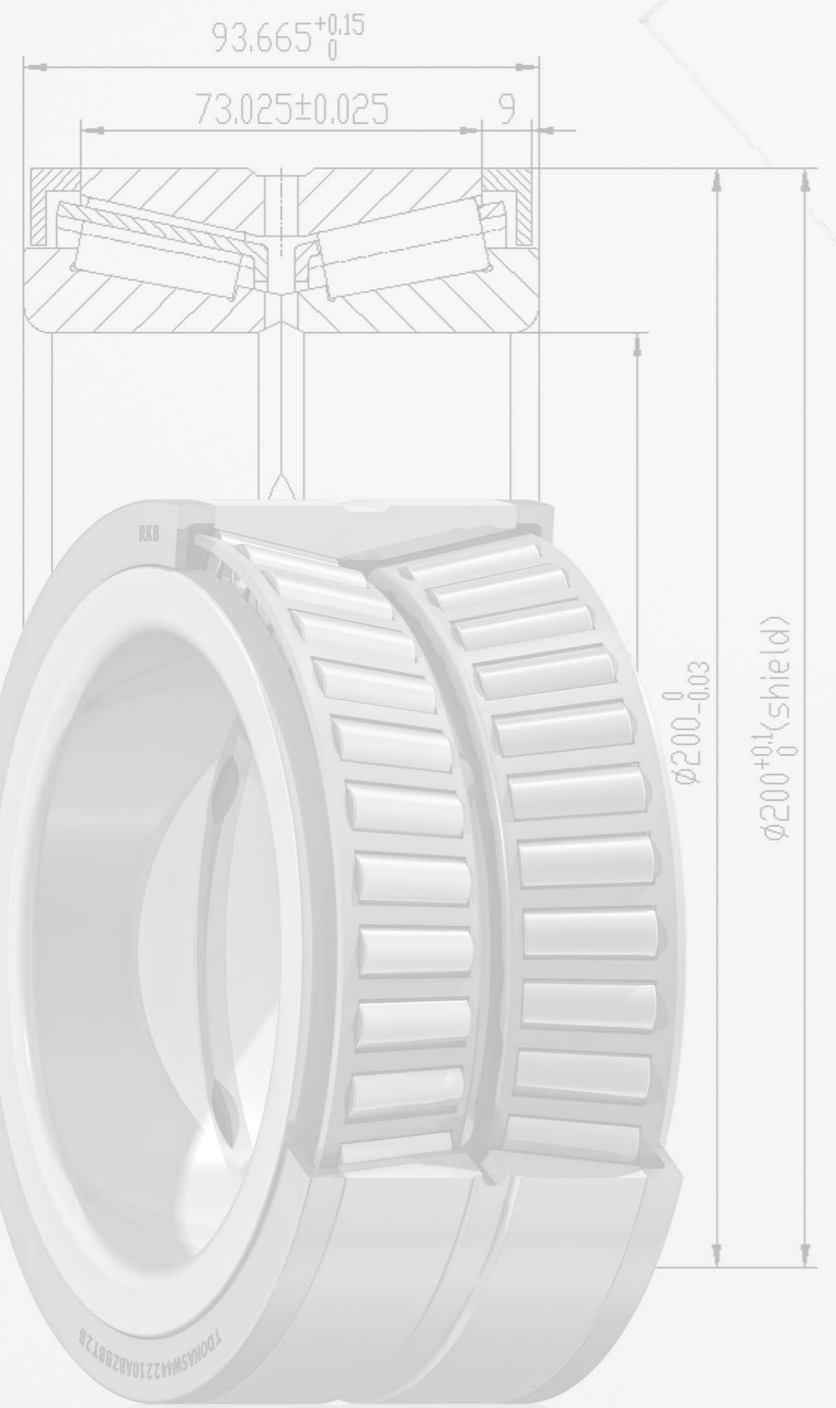
Main bearings: T3 Segment - Double-row taper roller bearings with shields



**Project 'KC-PAN01'**  
Heavy lift dockside crane winches



Main bearings: T3 Segment - Double-row taper roller bearings with shields



**TDONASW series special execution for heavy lift crane winches**

**Hoist axis pull up to 400 tons**

**Up to 200 mm inner diameter**

**C<sub>or</sub> > 1000 kN**

**Project 'KC-PAN01'**  
Heavy lift dockside crane winches

